

TEAC

SERVICE MANUAL

CT-M6601ST / 6602S

66cm CTV

1. GENERAL INFORMATION

All adjustments are thoroughly done before shipping. Therefore the receiver should operate normally and produce proper colour upon good installation. Insert the power plug into a 165/245 volt 50 Hz AC power outlet. Never connect the DC supply or other power outlet or frequency. Switch on the TV receiver. Adjust the controls for optimum picture. For testing and adjustment the luminance and chrominance controls should be preset at normal positions while the volume control at one third position of maximum output.

2. AUTOMATIC DEGAUSSING

An automatic degaussing coil is attached around the picture tube. Degauss the tube properly about one second after the set is switched on. If the receiver is moved or faced in a different direction, the power must be switched off at least 30 minutes in order that the automatic degaussing circuit operates properly. External degaussing is necessary if the automatic degaussing proves ineffective after the set is moved. External degaussing is done by moving a degaussing coil clockwise in front of the face plate and then moving it away step by step until it is about two meters from the screen, when the power is switched off.

3. B+ VOLTAGE ADJUSTMENT

NOTE :TO AVOID X-RAY HAZARDS, B+ VOLTAGE MUST BE SET CORRECTLY AT 125V POSITIONS.

- a. Switch on the TV receiver, tune in an active channel with contrast and luminance controls at normal positions.
- b. Make sure the AC power supply is 220V +- 5% 50 Hz.
- c. Connect test point (socket C1) on the PCB 60-A0745120-02 with high impedance DC voltmeter.
- d. Adjust VR501 (on the PCB 60-A0745120-02) for B+ 125V voltage reading.

4. S1 ALIGNMENT

Apply a DC 12V at the C120 and a sweep PIF signal to the TUNER TP.
Connect the vertical input of sweep oscilloscope to the TP2, adjust L109 for 40.2 MHz and L110 for 31.9MHz to get the wave form like fig.1

5. AFC ALIGNMENT

Change the sweep PIF signal to a CW signal.
Connect with a high impedance DC voltmeter to the C142 and the GND.
Adjust L100 to get the reading of 3.5V.
Increased the frequency then the reading will be decreased. Contrarily, the reading will be increased.

6. AGC ALIGNMENT

Apply a 60dbu level with standard colour bar signal to the antenna input.
Connect the probes of the high impedance DC voltmeter to C153.
Adjust VR101 to get the reading of 7--7.5V till obtaining a clear picture.

7. HORIZONTAL POSITION ADJUSTMENT

Apply a cross hatch signal.
Adjust VR100 to move the picture at the center.

8. VERTICAL ADJUSTMENT

Apply a cross hatch signal.
Adjust VR301 to obtain rightful high picture.
Adjust VR300 to obtain a linear picture.
Adjust VR302 to move the picture at the center.

9. PICTURE WIDTH AND PINCUSHION DISTORTION ADJUSTMENT :

- a. Perform this adjustment after B+ volts and Hor. CENTER adjustment are completed.
- b. Receive the Phillips Pattern.
- c. Set the contrast and colour to minimum, and the brightness to maximum.
- d. Adjust H. WIDTH Control (VR1302) for the horizontal width so that the white flags on left and right of the pattern are just hidden.
- e. Adjust DPC Control (VR1301) to correct the vertical line on left and right straight.
- f. Readjust WIDTH Control (VR1302) for the precision.

10. FS (Failure Safety) Circuit Check

Turn the power switch on and adjust all controls for normal operation.
Temporarily connect a 15 Kohm resistor across R391 on the main board. Raster and sound will disappear.
The receiver must remain in this state even after removing the resistor. This is the evidence that the FS circuit is functioning properly.
To obtain a picture again, temporarily turn the receiver off and allow the FS circuit more than 30 seconds to reset.
Then turn the power switch on to product a normal picture.

11. SCREEN VOLTAGE ADJUSTMENT

Press the AV button on the hand set unit to obtain a darkest picture.
Turn the SCREEN VR anticlockwise to get the minimum value. Connect the test probe of the high impedance voltmeter to the SCREEN OF THE CRT.
Turn the SCREEN VR clockwise slowly to get the reading of 450V.

12. WHITE BALANCE ADJUSTMENT

Apply a white balance alignment signal with the white balance checker.
Adjust brightness and contrast suitable for the adjustment.
Adjust VR404 / VR405 (BLUE), VR402 / VR403 (GREEN) and VR401 (RED) to obtain a 6500 K or 9300 K colour temperature.

13. STEREO AND NICAM SOUND ALIGNMENT (BG-38.9MHz, I-39.5MHz) (On the PCB 60-A0745120-02)

- Apply IF signal (38.9 MHz, 10mV) to pin 2 of B socket.
Set signal generator to pulse and bar. Set TV generator to dual transmission with internal modulation of 3 KHz on channel 1 and 1 KHz on channel 2.
- Connect oscilloscope to pin 15 of IC601 (TDA3857).
Align the 38.9MHz (L603) for minimum picture contents.

14. DUAL SIF ALIGNMENT (On the PCB 60-A0745120-02)

Set transmitter to BG mono sound mode, connect the dual vertical input of the oscilloscope to R612 (MAIN SOUND) 5.5MHz and R611 (SUB SOUND) 5.74mhz.
Adjust L602 5.5MHz tank coil to minimum THD.
Change the sound to D/K system, adjust L604 6.5MHz tank coil to minimum THD.
Re-align L602 and L604 to minimum THD both.
Set transmitter to dual sound mode and off the main sound modulation.
Adjust L601 5.74MHz tank coil to minimum THD.

15. Color Purity Adjustment

NOTE: Before attempting any convergence adjustments, this receiver should be operated for at least fifteen minutes. Convergence magnet assembly and rubber wedges need mechanical position as shown in Fig. 5.

- a. Demagnetize the picture tube and cabinet using an external degaussing coil.
- b. Turn the CONTRAST and BRIGHTNESS controls to maximum.
- c. Adjust RED and BLUE bias controls (VR401) and (VR405) to provide only a green raster. Advance the green bias control (VR403) if necessary.
- d. Loosen the clamp screw holding the yoke and slide the yoke and slide the yoke backward to provide vertical green belt zone in the picture screen.
- e. Remove the rubber wedges.
- f. Rotate and spread the tabs of the purity magnet (See Fig. 5 around the neck of the picture tube until the green belt is in the center of the screen. At the same time center the raster vertically.
- g. Move the yoke slowly forward or backward until a uniform green screen is obtained. Tighten the clamp screw of the yoke temporarily.
- h. Check the purity of the red and blue rasters by adjusting the bias controls.
- i. Obtain a white raster, referring to "WHITE BALANCE ADJUSTMENT".
- j. Proceed with convergence adjustment.

16. Center Convergence Adjustment

- a. Receive crosshatch pattern with a colour bar signal generator.
- b. Adjust the BRIGHTNESS and CONTRAST controls for well defined pattern.
- c. Adjust two tabs of the 4 pole magnets to change the angle between them (see Fig.6) and obtain a blue vertical line in the center area of the picture screen. (see Fig.7).
- d. Turn both tabs at the same time keeping their angles constant to superimpose red and blue horizontal lines at the center of the screen. (see Fig.7).
- e. Adjust two tabs of 6 pole magnets to superimpose red and blue line with green one . Adjusting the angle affects the vertical lines and rotating both magnets affects the horizontal lines.
- f. Repeat adjustments 1,2,3, keeping in mind red, green and blue movements because 4 pole magnets and 6 pole magnets interact and make dot movement complex.

17. Circumference Convergence Adjustment

- a. Loosen the clamping screw of deflection yoke to allow the yoke to tilt.
- b. Place a wedge as shown in Fig.5 temporarily. (Do not remove cover paper on adhesive part of the wedge.)
- c. Tilt front of the deflection yoke up or down to obtain better convergence in circumference. (see Fig.7). Push the mounted wedge into the space between picture tube and the yoke to hold the yoke temporarily.
- d. Place other wedge into bottom space and remove the cover paper to stick.
- e. Tilt front of the yoke right or left to obtain better convergence in circumference (see Fig.7).
- f. Hold the yoke position and put another wedge in either upper space. Remove cover paper and stick the wedge on picture tube to hold the yoke.
- g. Detach the temporarily mounted wedge and put it in another upper space, stick it on picture tube to fix the yoke. After placing three wedges, recheck overall convergence.
- h. Tighten the screw firmly to hold the yoke tightly in place. Stick 3 adhesive tapes on wedges as shown in Fig.5.

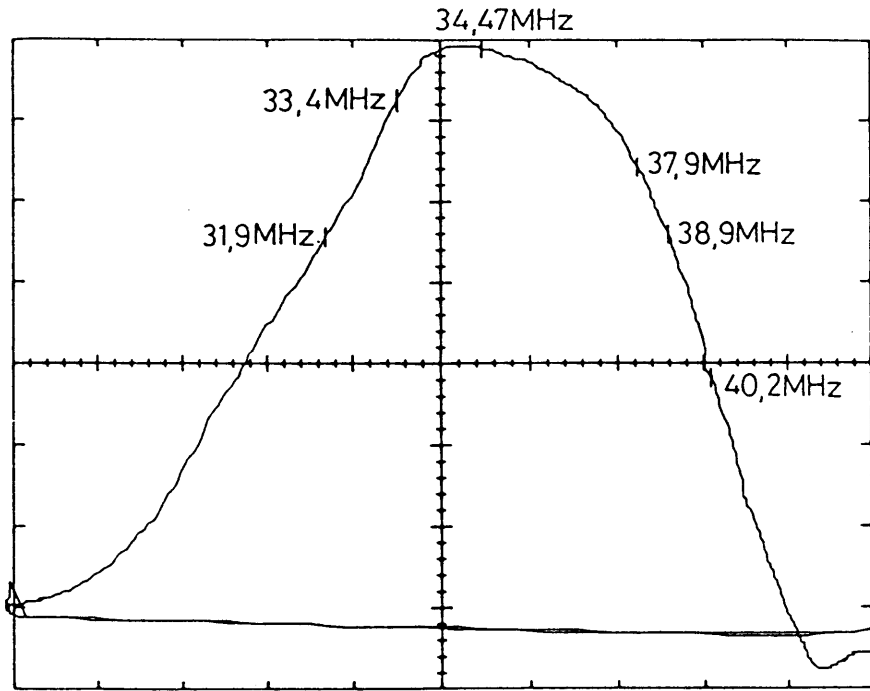


Fig. 1

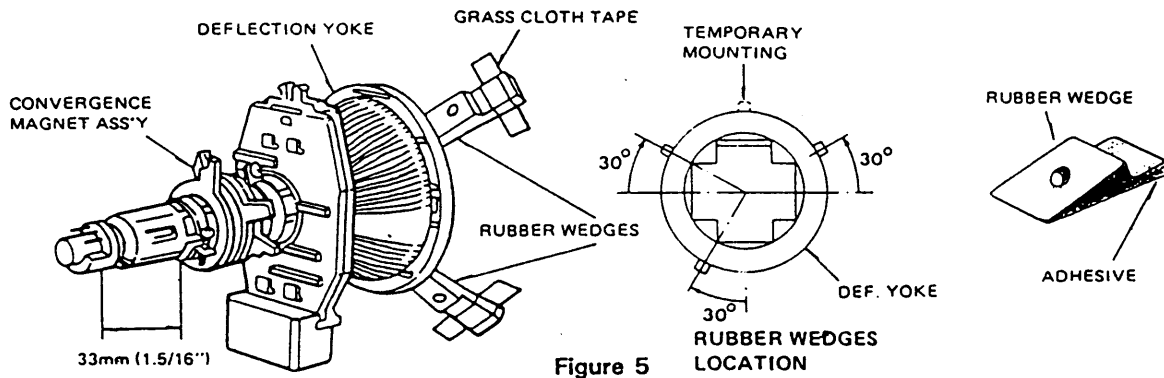


Figure 5

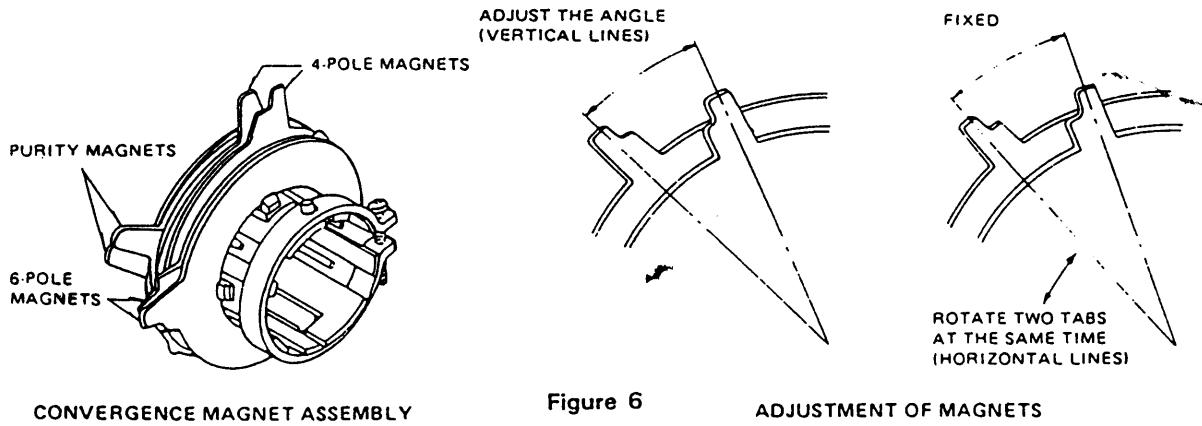


Figure 6

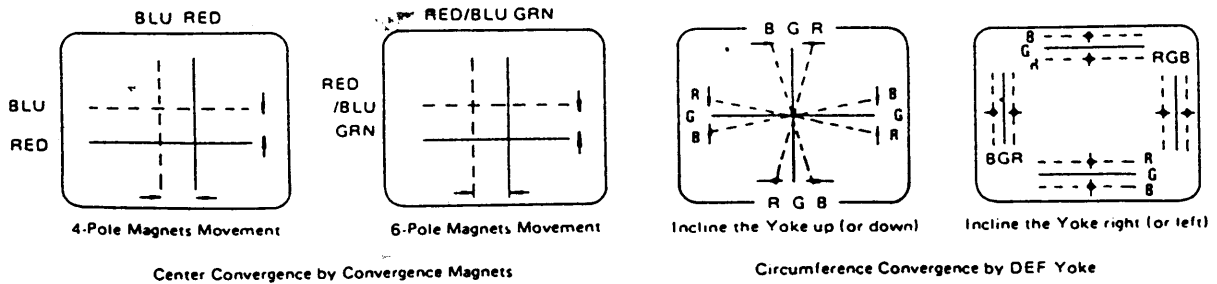
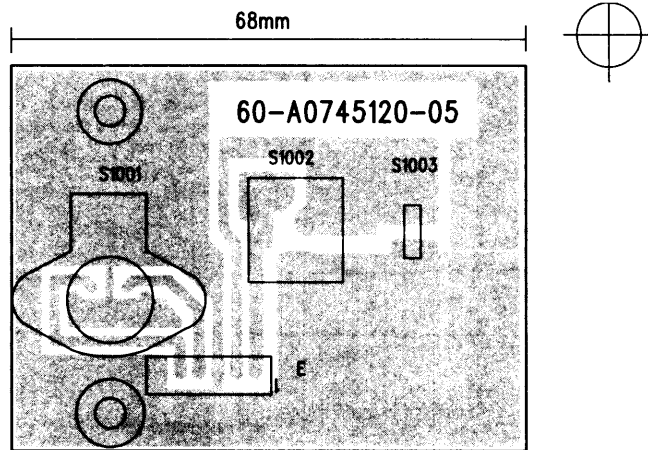
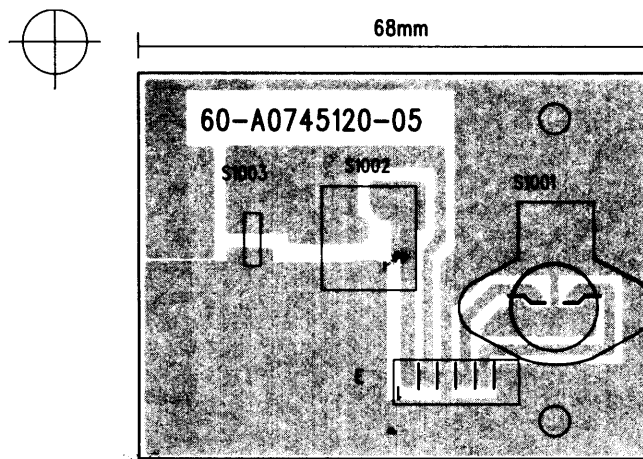


Figure 7 Dot Movement Pattern

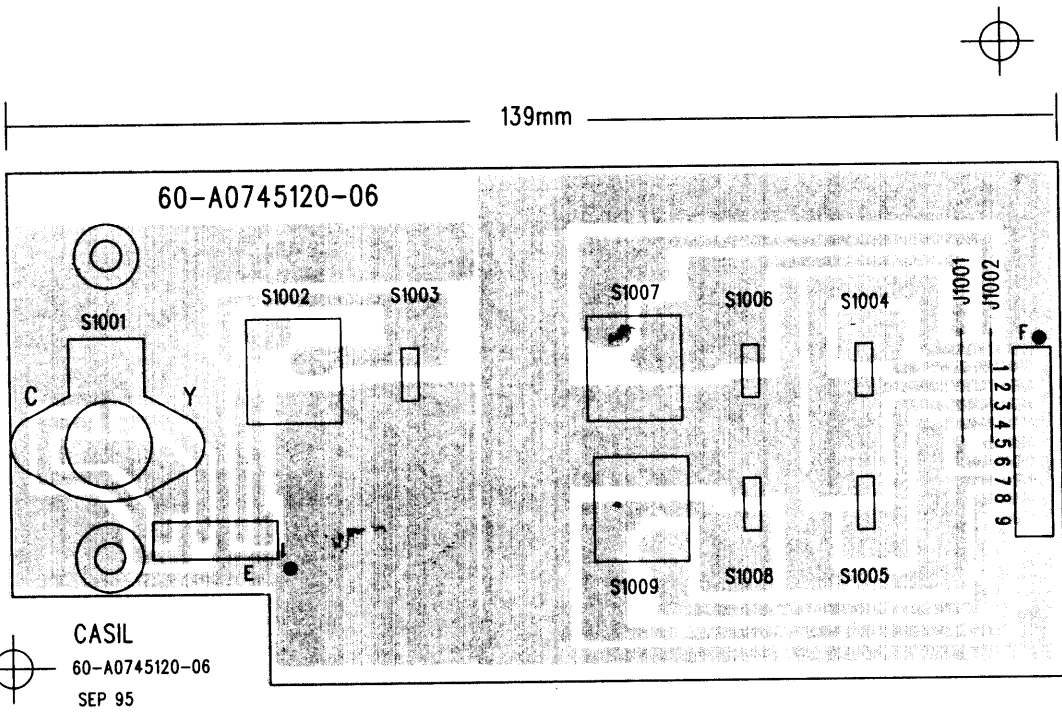
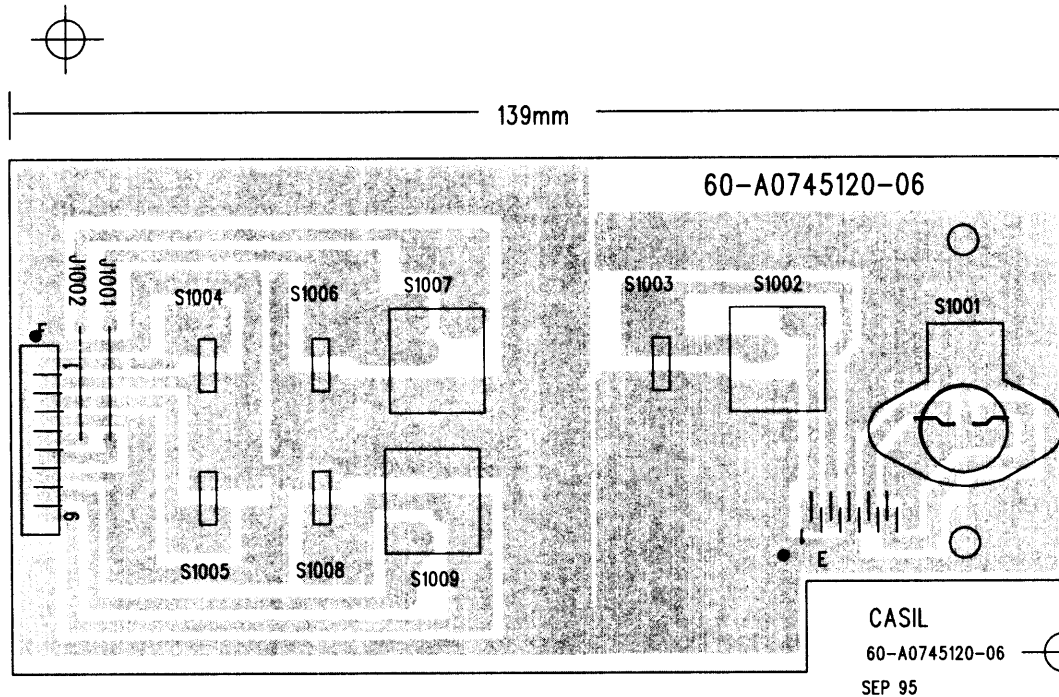


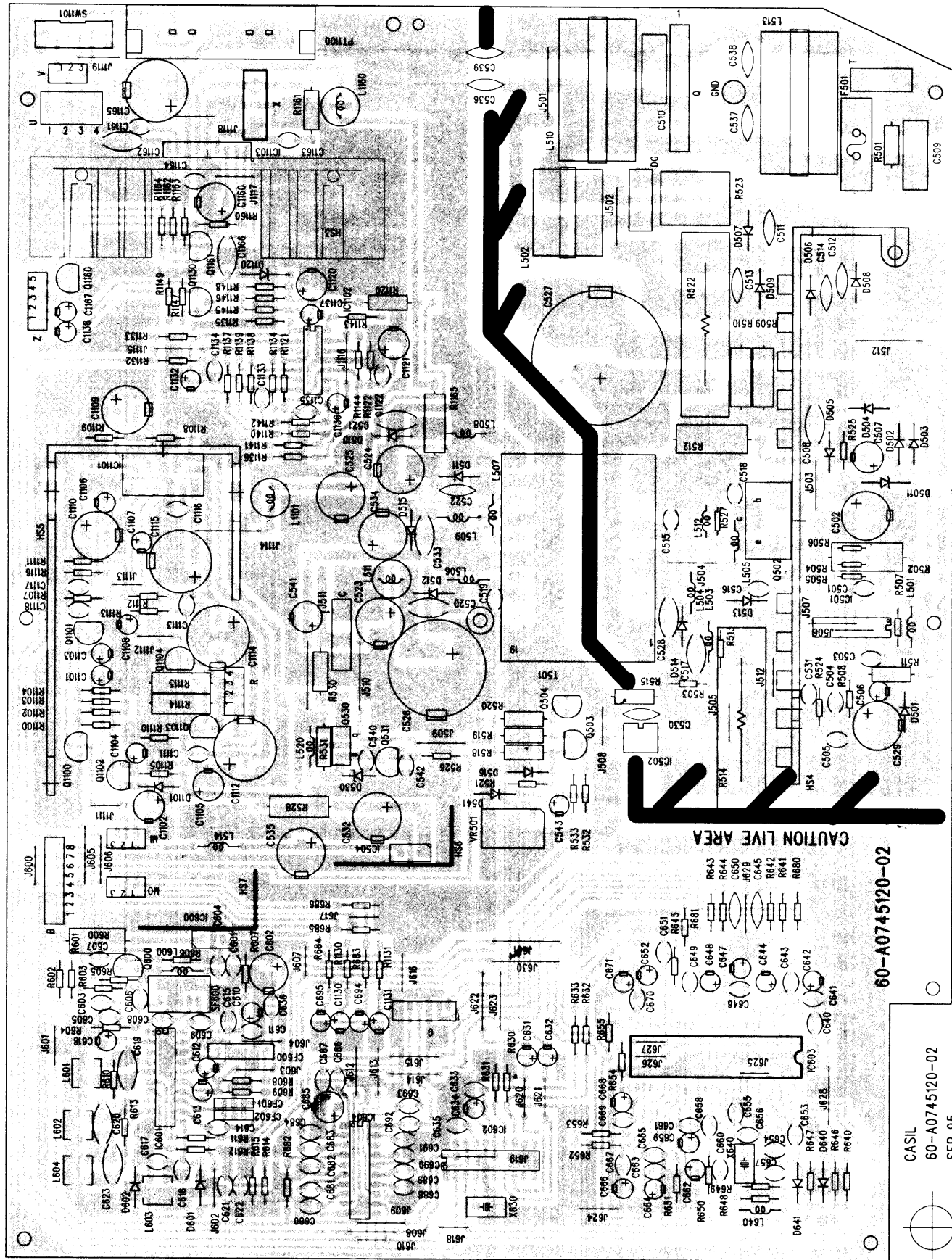
CASIL
60-A0745120-05
SEP 95



CASIL
60-A0745120-05
SEP 95







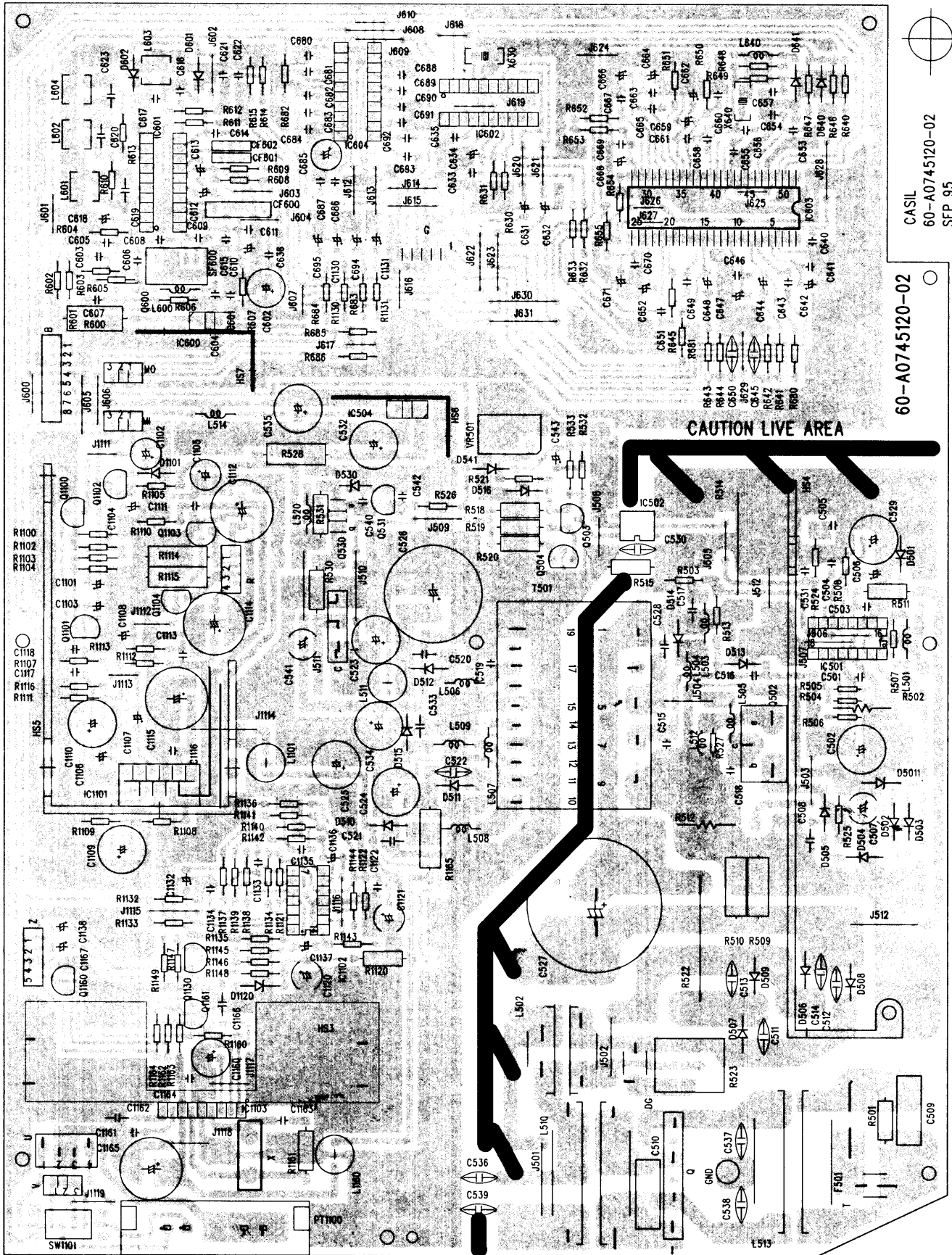
245.6mm

CAUTION LIVE AREA

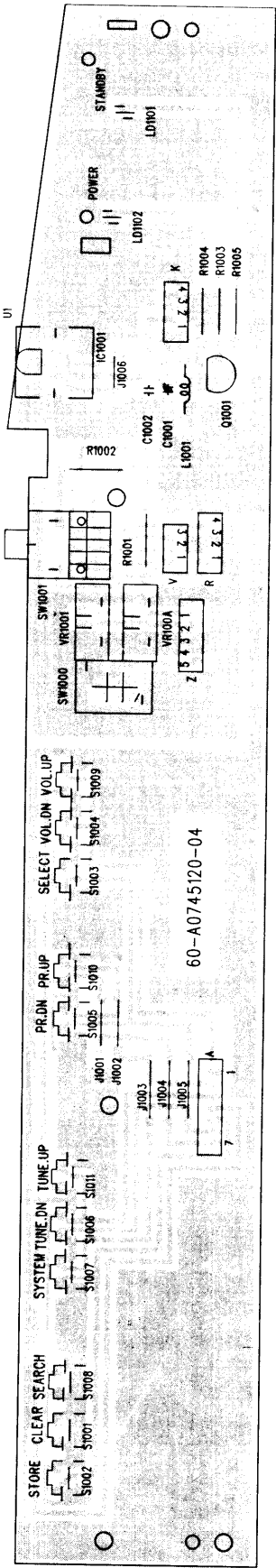
60-A0745120-02

CASIL
60-A0745120-02
SEP 95

CAUTION LIVE AREA

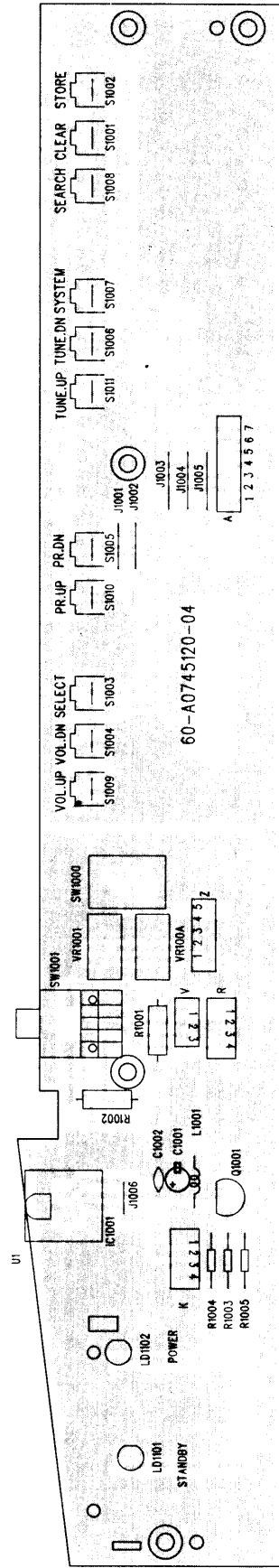


245.6mm



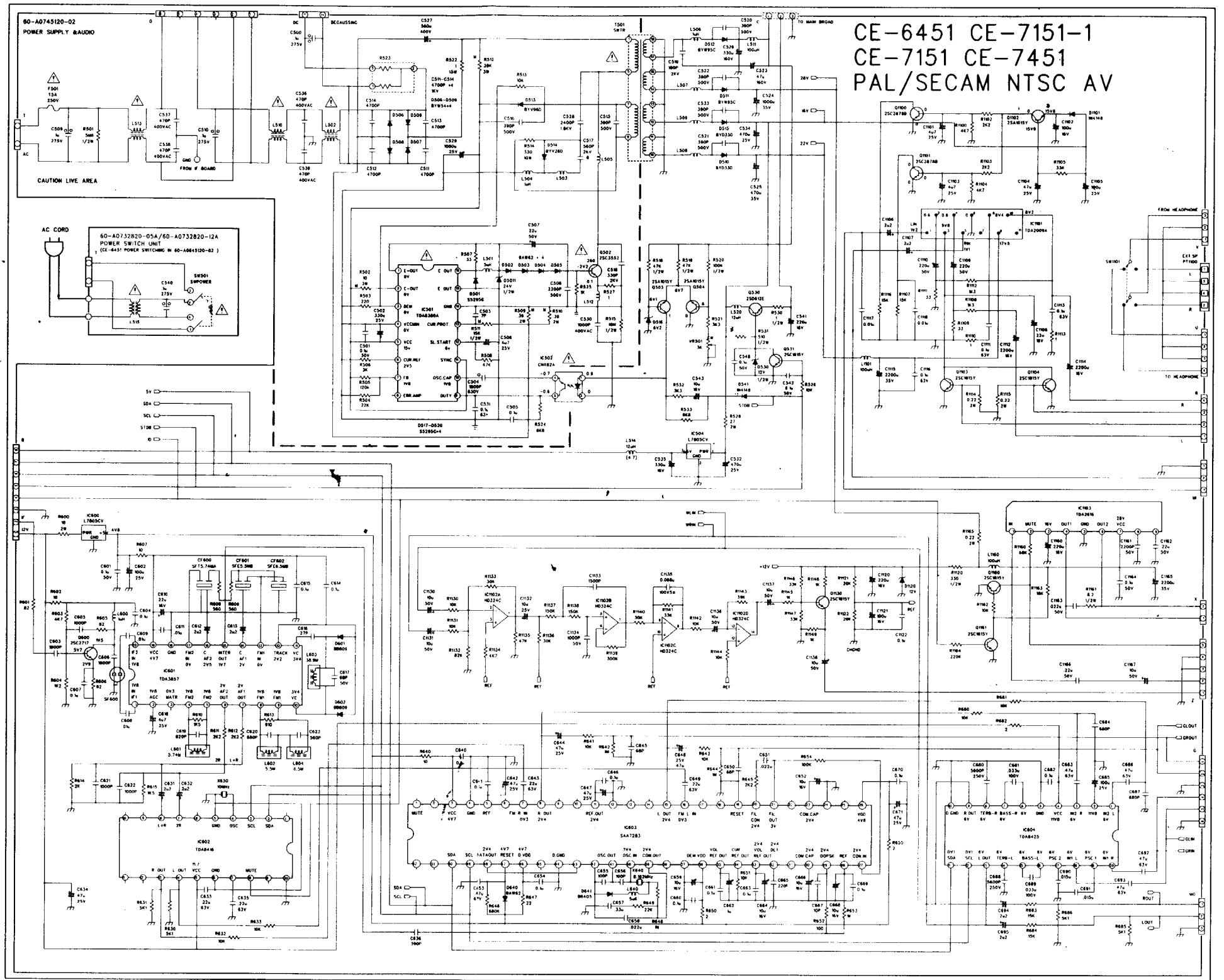
326 mm

CASIL
 MODEL NO:CE7451
 60-A0745120-04



326 mm

CASIL
 MODEL NO:CE7451
 60-A0745120-04



CE-6451 CE-7151-1
 CE-7151 CE-7451
 PAL/SECAM NTSC AV

J. C. Tang
 JmWong
 15-7-96

*New Version
Circuit diagram*

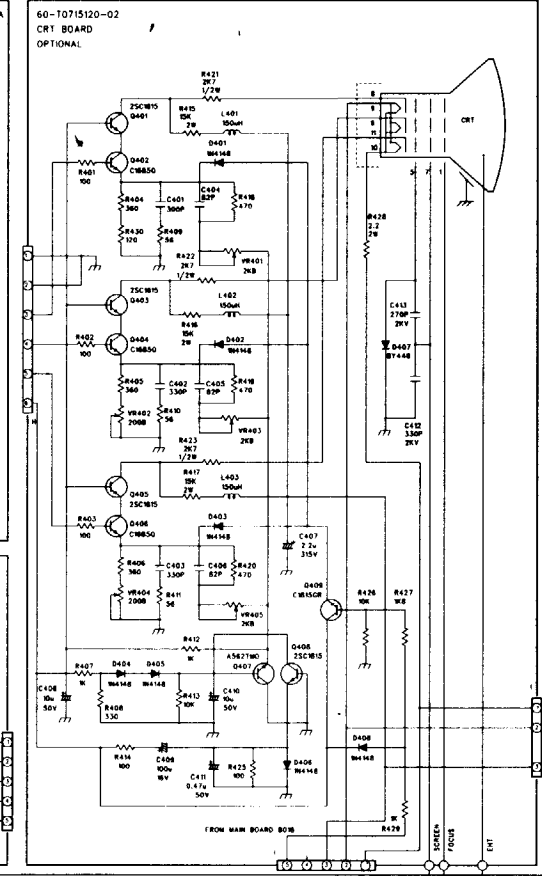
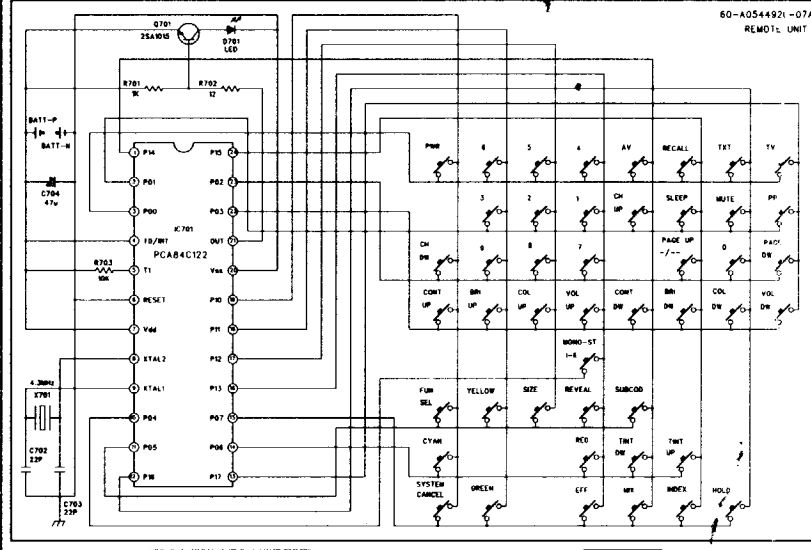
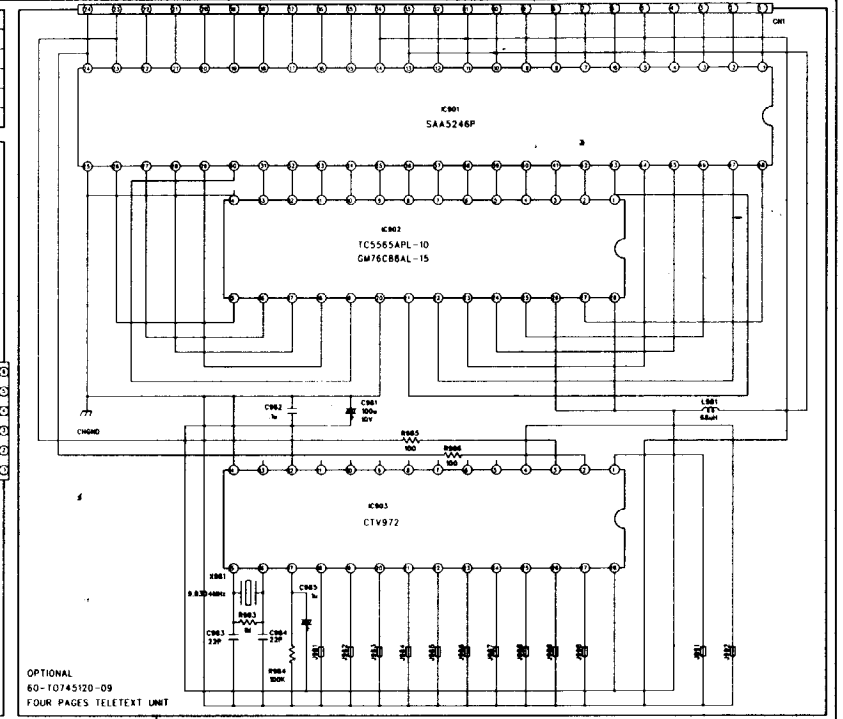
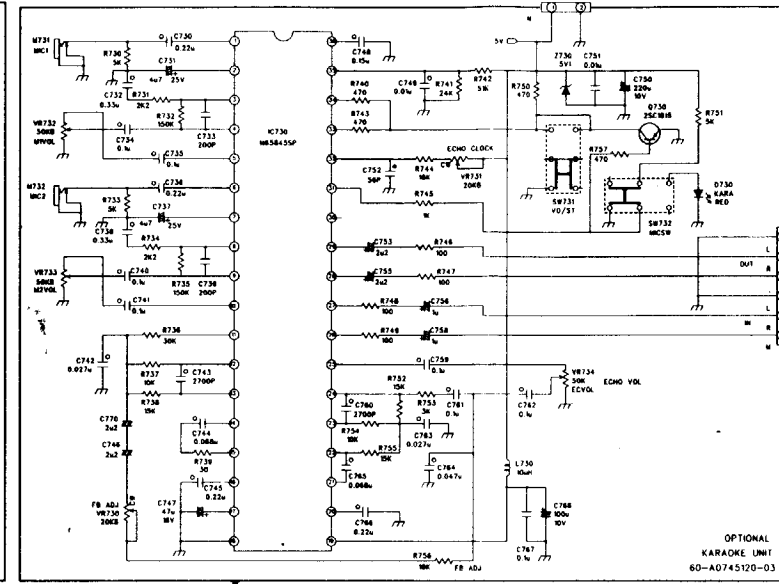
RESISTOR TYPES	SYMBOL	NON INFLAMMABLE	SYMBOL	POLYPROPYLENE FILM	SYMBOL
CARBON FILM		PTC THERMISTOR		METAL POLYESTER FILM	
CARBON COMPOSITION		VARIABLE		POLY POLYESTER FILM	
METAL OXIDE +/-5X		CAPACITOR TYPES	SYMBOL	ELECTROLYTIC	
METAL OXIDE +/-2X		TANTALUM		TRIMMER	
FUSIBLE		POLYESTER FILM		CERAMIC	

NOTICE:
SINCE THIS IS A BASIC CIRCUIT DIAGRAM THE VALUE OF COMPONENTS ARE SUBJECT TO BE CHANGE FOR IMPROVEMENT.

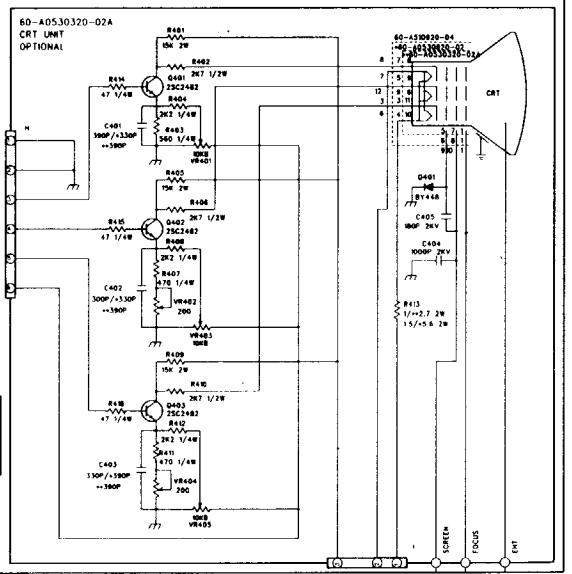
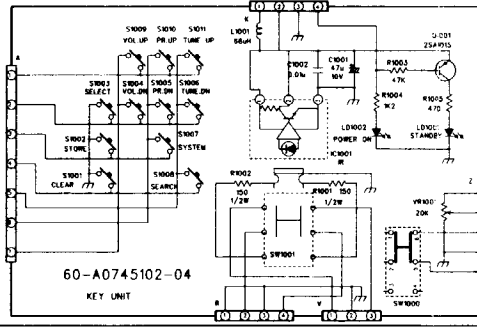
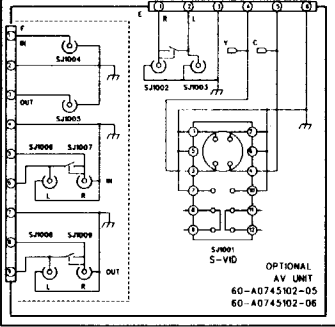
WARNING:
BEFORE SERVICING THIS CHASSIS, READ THE X-RAY RADIATION PRECAUTION & PRODUCTS SAFETY NOTICE OF THIS MANUAL.

CAUTION:
THE WARNING SYMBOLS IN THE SCHEMATIC DIAGRAM AND THE PART LIST DESIGNATE COMPONENTS WHICH HAVE SPECIAL CHARACTERISTICS IMPORTANT FOR SAFETY SHOULD BE REPLACED ONLY WITH TYPES IDENTICAL TO THOSE IN THE ORIGINAL CIRCUIT OF SPECIFIED IN THE PARTS LIST BEFORE REPLACING ANY OF THESE COMPONENTS, READ CAREFULLY THE PRODUCTS SAFETY NOTICE OF THE MANUAL DO NOT DEGRADE THE SAFETY OF THE RECEIVER THROUGH IMPROPER SERVICING.

NOTE:
1. VOLTAGES ARE MEASURED WITH DVM FROM POINT INDICATED TO CHASSIS GROUND, USING COLOR BAR SIGNAL WITH ALL CONTROLS AT NORMAL POSITION.
2. WAVEFORMS ARE MEASURED WITH SYNCHROSCOPE FROM POINT INDICATED TO CHASSIS GROUND, USING COLOR BAR SIGNAL WITH ALL CONTROLS AT NORMAL.
3. ALL RESISTORS ARE 1/8W +/-5% CARBON FILM RESISTOR UNLESS OTHERWISE LISTED.
RESISTANCE UNIT IS IN OHM
K=1000
M=1000000
4. ALL CAPACITOR ARE 50MV CERAMIC CAPACITOR UNLESS OTHERWISE LISTED CAPACITANCE UNIT IS U. UNLESS OTHERWISE LISTED.

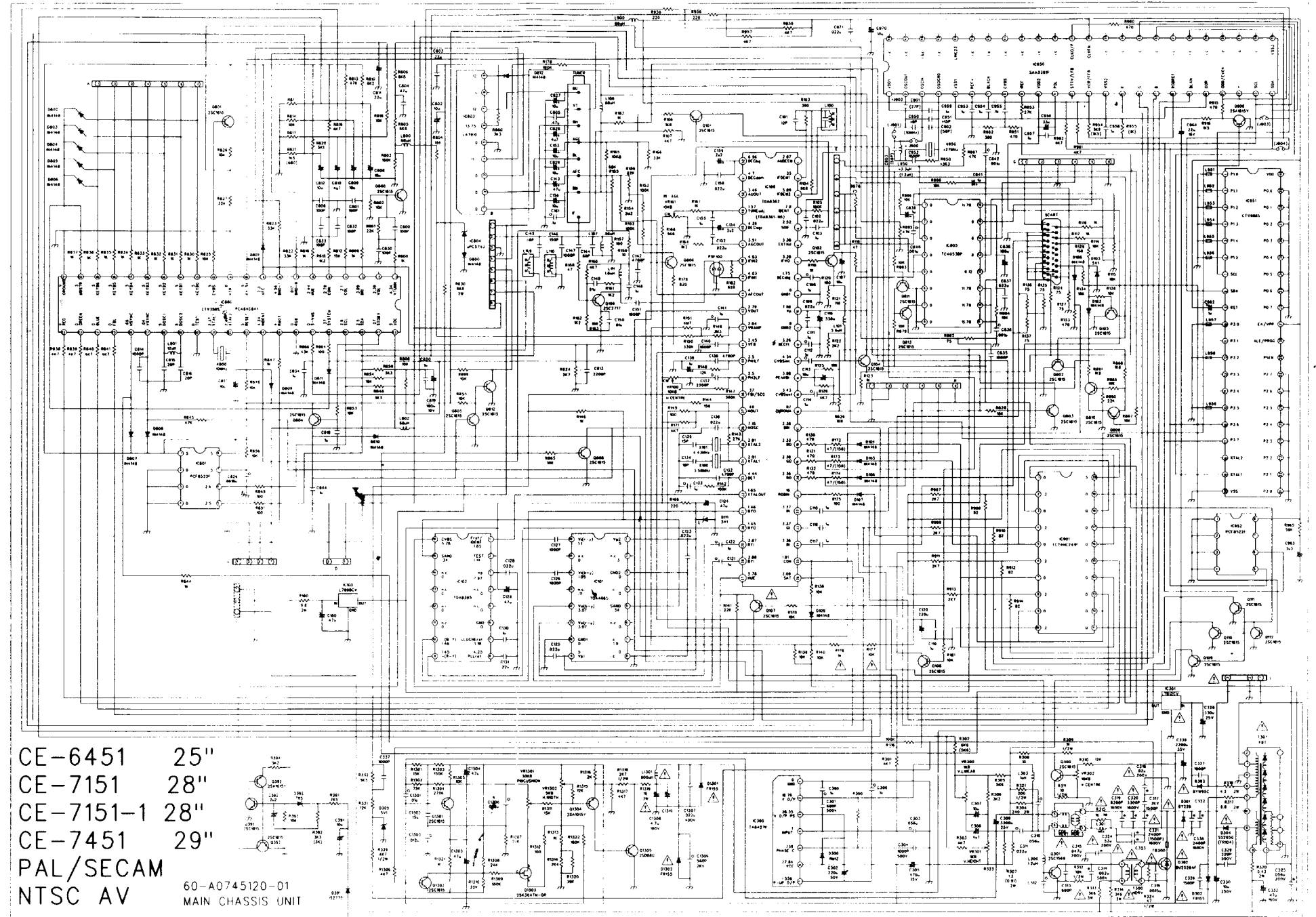


- CE-6451 25"
- CE-7151 28"
- CE-7151-1 28"
- CE-7451 29"
- PAL/SECAM
- NTSC AV



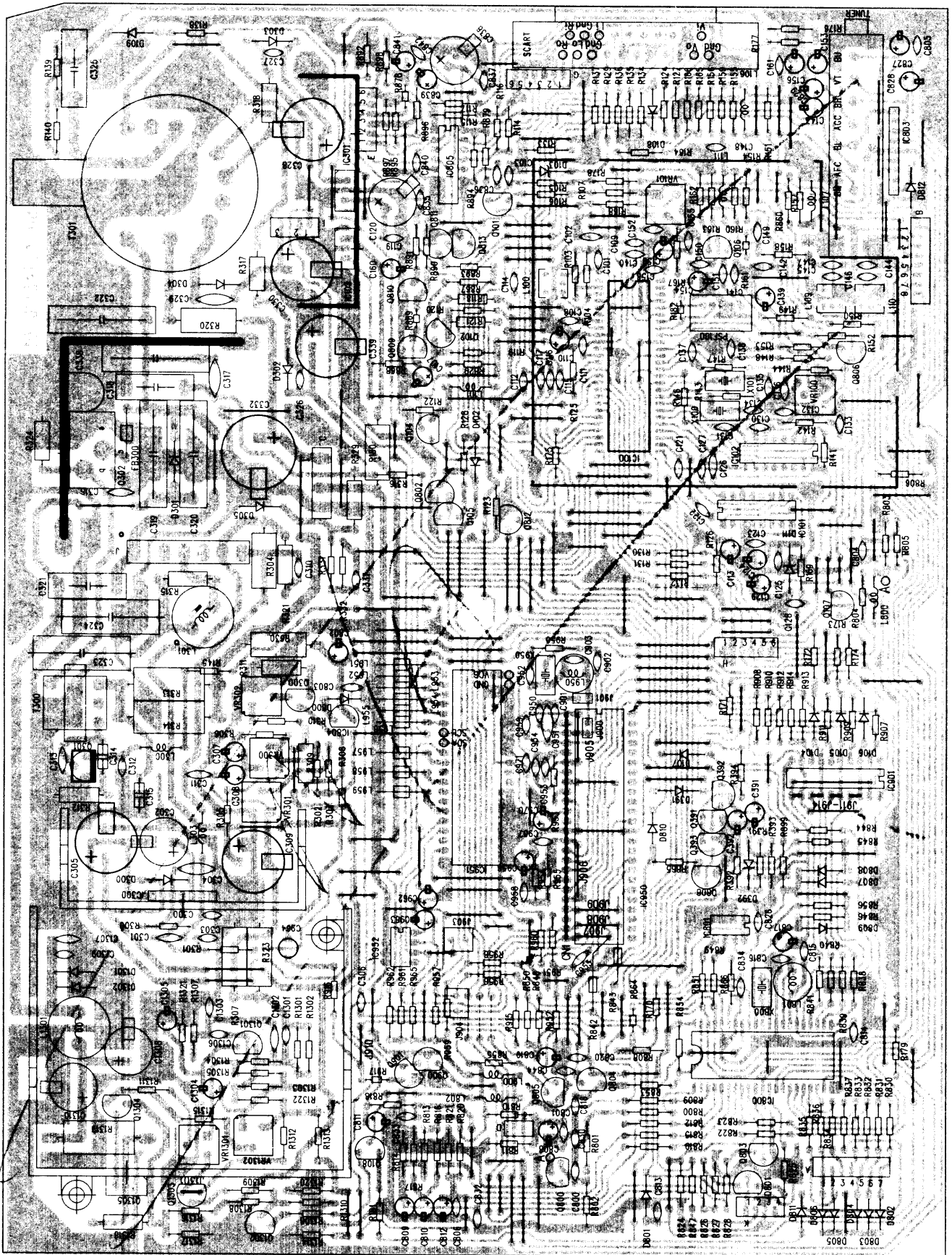
*J. C. Fy. Jan Wong
15-7-96*

C
C
C

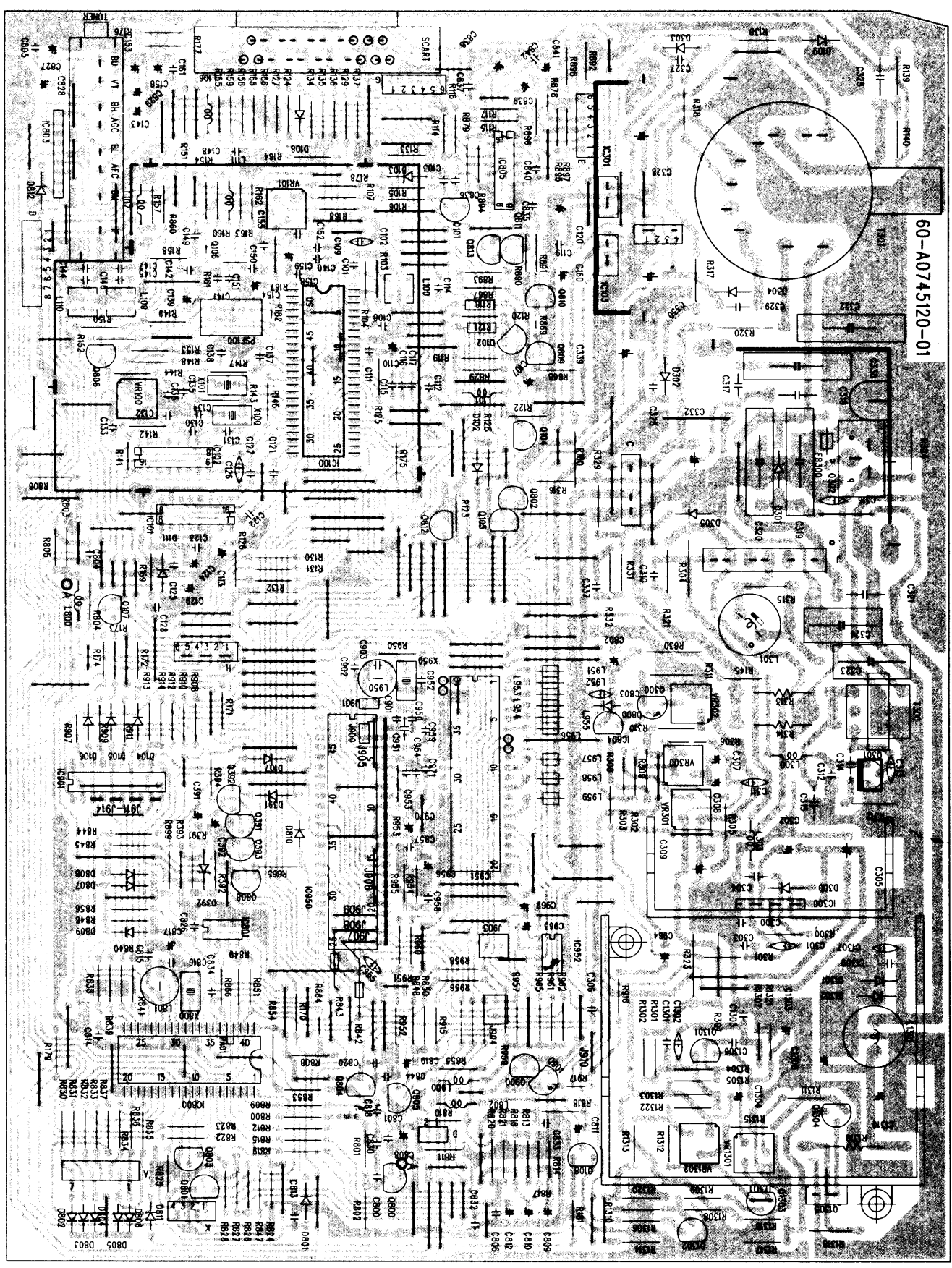


CE-6451 25"
 CE-7151 28"
 CE-7151-1 28"
 CE-7451 29"
 PAL/SECAM
 NTSC AV
 60-A0745120-01
 MAIN CHASSIS UNIT

J. C. Tang
 15-7-96



60-A0745120-01



ELECTRICAL PART LIST

LOC	CHILD	DESC	LOC	CHILD	DESC
C0101	54-H1200CBF-00	12 PF 50V +5% CERAMIC CAP (DD104SL120J)	C0155	54-E1004HBF-00	0.1 UF 50V +80% -20% CERAMIC CAP. (U104Z28Y5VF62J5H)
C0102	54-72203-75	0.022 UF 50V +80% -20% CERAMIC CAP	C0156	54-A1008EAF-00	10 UF 50V +20% ELECTROLYTIC CAP
C0103	54-E1004HBF-00	0.1 UF 50V +80% -20% CERAMIC CAP. (U104Z28Y5VF62J5H)	C0158	54-72203-75	0.022 UF 50V +80% -20% CERAMIC CAP
C0107	54-A1008EAF-00	10 UF 50V +20% ELECTROLYTIC CAP	C0159	54-02205EAF-00	2.2 UF 50V +20% ELECTROLYTIC CAP. (SMR SERIES)
C0108	54-E1004DCF-00	0.1 UF 50V +10% POLYESTER FILM CAPACITOR	C0160	54-A4708EAD-01	47 UF 25V +20% ELECTROLYTIC CAPACITOR 105C (UPR1E470MDH)
C0109	54-72203-75	0.022 UF 50V +80% -20% CERAMIC CAP	C0161	54-E1004DCF-00	0.1 UF 50V +10% POLYESTER FILM CAPACITOR
C0110	54-A3307EAC-00	330 UF 18V +20% ELECTROLYTIC CAPACITOR (UVX1C331MPA)	C0300	54-P1004DFV-00	0.1 UF 63V +10% METALLIZED POLYESTER FILM CAP
C0111	54-E1004DCF-00	0.1 UF 50V +10% POLYESTER FILM CAPACITOR	C0301	54-E6801DBL-00	680 PF 500V +10% CERAMIC CAP (D681K25Z5PL52L5H)
C0112	54-E1004DCF-00	0.1 UF 50V +10% POLYESTER FILM CAPACITOR	C0302	54-A2207EAF-00	220 UF 50V +20% ELECTROLYTIC CAPACITOR (UVX1H221MPA)
C0113	54-A1008EAF-00	10 UF 50V +20% ELECTROLYTIC CAP	C0303	54-A5603CCG-00	0.056 UF 100V +5% POLYESTER FILM CAP. (TDY-2A563J) LONG LEAD TYPE
C0114	54-E1004DCF-00	0.1 UF 50V +10% POLYESTER FILM CAPACITOR	C0304	54-H1002DBL-00	1000 PF 500V +10% CERAMIC CAP. (DD07B102K500V) OR (DD07-63B102K500)
C0115	54-E1004HBF-00	0.1 UF 50V +80% -20% CERAMIC CAP. (U104Z28Y5VF62J5H)	C0305	54-04707EAE-00	470 UF 35V +20% ELECTROLYTIC CAPACITOR (WG TYPE,DF1<0.08)
C0116	54-E1004HBF-00	0.1 UF 50V +80% -20% CERAMIC CAP. (U104Z28Y5VF62J5H)	C0306	54-E1004DCF-00	0.1 UF 50V +10% POLYESTER FILM CAPACITOR
C0117	54-E1004HBF-00	0.1 UF 50V +80% -20% CERAMIC CAP. (U104Z28Y5VF62J5H)	C0307	54-A1008EAF-00	10 UF 50V +20% ELECTROLYTIC CAP
C0119	54-E1004HBF-00	0.1 UF 50V +80% -20% CERAMIC CAP. (U104Z28Y5VF62J5H)	C0308	54-04705EAD-00	4.7 UF 25V +20% ELECTROLYTIC CAPACITOR (SMR TYPE)
C0120	54-A2207EAC-00	220 UF 18V +20% ELECTROLYTIC CAPACITOR (UVX1C221MPA)	C0309	54-A3308EAD-00	3300 UF +20% 25V ELECTROLYTIC CAPACITOR (UVX1E332MHA)
C0121	54-E1004DCF-00	0.1 UF 50V +10% POLYESTER FILM CAPACITOR	C0310	54-A5603CCG-00	0.056 UF 100V +5% POLYESTER FILM CAP. (TDY-2A563J) LONG LEAD TYPE
C0122	54-E1004DCF-00	0.1 UF 50V +10% POLYESTER FILM CAPACITOR	C0311	54-AZ2203CEG-00	0.022 UF 100V +5% POLYPROPYLENE FILM CAPACITOR SB-5MM (PLU203J100V)
C0123	54-72203-75	0.022 UF 50V +80% -20% CERAMIC CAP	C0313	54-E6801DBL-00	680 PF 500V +10% CERAMIC CAP (D681K25Z5PL52L5H)
C0124	54-04708EAB-00	47 UF 10V +20% ELECTROLYTIC CAPACITOR (SMR TYPE)	C0314	54-E2202EBL-00	0.0022 UF 500V +20% CERAMIC CAP (D222M25Z5UL62L5T)
C0125	54-72203-75	0.022 UF 50V +80% -20% CERAMIC CAP	C0315	54-AZ4703DEI-00	0.047 UF 200V +10% POLYPROPYLENE FILM CAPACITOR (PLU473K200V) L.S. - 10MM
C0126	54-51002-75	0.001 UF 50V +10% CERAMIC CAP	C0316	54-11502CLF-00	0.0015 UF 50V +5% POLYESTER FILM CAP (DER TYPE)
C0127	54-51002-75	0.001 UF 50V +10% CERAMIC CAP	C0317	54-E1502DBP-00	1500 PF 2KV +10% CERAMIC CAP (D152K48Y5PP62L9A)
C0132	54-E4702EBL-00	0.0047 UF 500V +20% CERAMIC CAP (D472M31Z5UL62L5A)	C0318	54-AZ2003CEI-00	0.02 UF 200V +5% POLYPROPYLENE FILM CAPACITOR SB-10MM (PLU203J200V)
C0133	54-E1004DCF-00	0.1 UF 50V +10% POLYESTER FILM CAPACITOR	C0319	54-18202CM0-00	0.0082 UF 1600V +5% POLYPROPYLENE FILM CAP
C0134	54-41800-75	18 PF 50V +5% CERAMIC CAP	C0320	54-43302-19	0.0033 UF 1600V +5% POLYPROPYLENE FILM CAP (DKR TYPE)
C0135	54-E1500CBF-00	15 PF 50V +5% CERAMIC CAP. (D150J20C0GF52L2H)	C0321	54-AZ2402CEO-00	0.0024 UF 1600V +5% POLYPROPYLENE FILM CAPACITOR (BUH242J1600V) L.S. - 15MM
C0136	54-72203-75	0.022 UF 50V +80% -20% CERAMIC CAP	C0324	54-AZ5204CEI-00	0.52 UF 200V +5% POLYPROPYLENE FILM CAPACITOR (PLU524J200V) (L.S. - 25MM)
C0137	54-E2202DCF-00	0.0022 UF 50V +10% POLYESTER FILM CAPACITOR	C0325	54-AZ5603DEI-00	0.056 UF 200V +10% POLYPROPYLENE FILM CAPACITOR (PLU563K200V) L.S. - 15MM
C0138	54-E4702EBL-00	0.0047 UF 500V +20% CERAMIC CAP (D472M31Z5UL62L5A)	C0326	54-E1502EBL-00	1500 PF 500V +20% CERAMIC CAP (D152M22Z5UL62L3H)
C0139	54-01005EAF-00	1 UF 50V +20% ELECTROLYTIC CAP. (SMR SERIES)	C0327	54-H1002DBL-00	1000 PF 500V +10% CERAMIC CAP. (DD07B102K500V) OR (DD07-63B102K500)
C0140	54-51802-76	0.0018 UF 50V +10% MYLAR CAP	C0328	54-A3307EAD-01	330 UF 25V +20% ELECTROLYTIC CAP. (UVX1E331MPA)
C0141	54-E1004DCF-00	0.1 UF 50V +10% POLYESTER FILM CAPACITOR	C0329	54-E2201DBL-00	220 PF 500V +10% CERAMIC CAP (D221K25Z5PL52L5H)
C0142	54-E4702EBL-00	0.0047 UF 500V +20% CERAMIC CAP (D472M31Z5UL62L5A)	C0330	54-A1008EAF-00	10 UF 250V +20% ELECTROLYTIC CAP. (UVX2E100MPA)
C0143	54-04704EAF-00	0.47 UF 50V +20% ELECTROLYTIC CAP. (SMR SERIES)	C0332	54-A4708EAF-00	47 UF 160V +20% ELECTROLYTIC CAP (UVX2C470MHA)
C0147	54-51002-75	0.001 UF 50V +10% CERAMIC CAP	C0337	54-51002-75	0.001 UF 50V +10% CERAMIC CAP
C0148	54-E1004HBF-00	0.1 UF 50V +80% -20% CERAMIC CAP. (U104Z28Y5VF62J5H)	C0338	54-AZ2402CEO-00	0.0024 UF 1600V +5% POLYPROPYLENE FILM CAPACITOR (BUH242J1600V) L.S. - 15MM
C0149	54-71003-75	0.01 UF 50V +80% -20% CERAMIC CAP	C0339	54-A2208EAE-01	2200 UF 35V +20% ELECTROLYTIC CAP. (UVS1V222MRA)
C0150	54-71003-75	0.01 UF 50V +80% -20% CERAMIC CAP	C0391	54-A1008EAF-00	10 UF 50V +20% ELECTROLYTIC CAP
C0151	54-51002-75	0.001 UF 50V +10% CERAMIC CAP	C0392	54-02205EAF-00	2.2 UF 50V +20% ELECTROLYTIC CAP. (SMR SERIES)
C0152	54-72203-75	0.022 UF 50V +80% -20% CERAMIC CAP	C0401	54-AC3901CBF-00	390 PF 50V +5% CERAMIC CAPACITOR (CC10UJ50V391J1B)
C0153	54-A1008EAF-00	10 UF 50V +20% ELECTROLYTIC CAP	C0402	54-AC3901CBF-00	390 PF 50V +5% CERAMIC CAPACITOR (CC10UJ50V391J1B)
C0154	54-02205EAF-00	2.2 UF 50V +20% ELECTROLYTIC CAP. (SMR SERIES)	C0403	54-AC3901CBF-00	390 PF 50V +5% CERAMIC CAPACITOR (CC10UJ50V391J1B)

ELECTRICAL PART LIST

19

LOC	CHILD	DESC	LOC	CHILD	DESC
C0404	54-E1002DBP-00	1000 PF 2KV +-10% CERAMIC CAP (D102K39Y5PP62L6A)	C0603	54-51002-75	0.001 UF 50V +-10% CERAMIC CAP
C0500	54-Q1004EFJ-01	0.1 UF 275V +-20% METALLIZED POLYESTER FILM CAP. (XG-VS)	C0604	54-E1004HBF-00	0.1 UF 50V +80% -20% CERAMIC CAP. (U104Z28Y5VF62J5H)
C0501	54-E1004HBF-00	0.1 UF 50V +80% -20% CERAMIC CAP. (U104Z28Y5VF62J5H)	C0605	54-51002-75	0.001 UF 50V +-10% CERAMIC CAP
C0502	54-A3307EAD-01	330 UF 25V +-20% ELECTROLYTIC CAP. (UVX1E331MPA)	C0606	54-51002-75	0.001 UF 50V +-10% CERAMIC CAP
C0503	54-50700-75	7 PF 50V +-0.5PF CERAMIC CAP	C0607	54-E1004HBF-00	0.1 UF 50V +80% -20% CERAMIC CAP. (U104Z28Y5VF62J5H)
C0504	54-Q1802CEX-00	1800 PF 830V +-5% POLYPROPYLENE FILM CAPACITOR	C0608	54-71003-75	0.01 UF 50V +80% -20% CERAMIC CAP
C0505	54-E1004DCF-00	0.1 UF 50V +-10% POLYESTER FILM CAPACITOR	C0609	54-71003-75	0.01 UF 50V +80% -20% CERAMIC CAP
C0506	54-04705EAD-00	4.7 UF 25V +-20% ELECTROLYTIC CAPACITOR (SMR TYPE)	C0610	54-02206EAC-00	22 UF 18V +-20% ELECTROLYTIC CAP. (SMR SERIES)
C0507	54-02208EAF-00	22 UF 50V +-20% ELECTROLYTIC CAPACITOR (SMR TYPE)	C0611	54-71003-75	0.01 UF 50V +80% -20% CERAMIC CAP
C0508	54-E2202EBL-00	0.0022 UF 500V +-20% CERAMIC CAP (D222M25Z5UL62L5T)	C0612	54-02205EAF-00	2.2 UF 50V +-20% ELECTROLYTIC CAP. (SMR SERIES)
C0509	54-Q1004EFJ-01	0.1 UF 275V +-20% METALLIZED POLYESTER FILM CAP. (XG-VS)	C0613	54-02205EAF-00	2.2 UF 50V +-20% ELECTROLYTIC CAP. (SMR SERIES)
C0511	54-E4702EBN-00	0.0047 UF 1KV +-20% CERAMIC CAP (D472M39Z5UN62L6A)	C0614	54-E1004HBF-00	0.1 UF 50V +80% -20% CERAMIC CAP. (U104Z28Y5VF62J5H)
C0512	54-E4702EBN-00	0.0047 UF 1KV +-20% CERAMIC CAP (D472M39Z5UN62L6A)	C0615	54-E1004HBF-00	0.1 UF 50V +80% -20% CERAMIC CAP. (U104Z28Y5VF62J5H)
C0513	54-E4702EBN-00	0.0047 UF 1KV +-20% CERAMIC CAP (D472M39Z5UN62L6A)	C0616	54-E2700CKF-00	27 PF 50V +-5% CERAMIC CAP. (TEMPERATURE COMPENSATING) (D270J20C06F52L5A)
C0514	54-E4702EBN-00	0.0047 UF 1KV +-20% CERAMIC CAP (D472M39Z5UN62L6A)	C0617	54-E6800CKF-00	68 PF 50V +-5% TEMPERATURE COMPENSATING CERAMIC CAP (N150)
C0515	54-E3901DKL-00	390 PF 500V +-10% CERAMIC CAP (D391K22Z5FL62L3H)	C0618	54-04705EAD-00	4.7 UF 25V +-20% ELECTROLYTIC CAPACITOR (SMR TYPE)
C0516	54-E3901DKL-00	390 PF 500V +-10% CERAMIC CAP (D391K22Z5FL62L3H)	C0619	54-08201CEG-00	820 PF 100V +-5% POLYPROPYLENE FILM CAPACITOR (PL CON TYPE)
C0517	54-85801-25	580 PF 2KV +-20% CERAMIC CAP	C0620	54-U6801CDX-00	680 PF 830V +-5% POLYSTYRENE FILM CAPACITOR (2222 431)
C0518	54-H3301CBP-00	330 PF 2000V +-5% CERAMIC CAP	C0621	54-51002-75	0.001 UF 50V +-10% CERAMIC CAP
C0519	54-E1801DBP-00	180 PF 2 KV +-10% CERAMIC CAP (D181K31Z5PR62L6)	C0622	54-51002-75	0.001 UF 50V +-10% CERAMIC CAP
C0520	54-E3901DKL-00	390 PF 500V +-10% CERAMIC CAP (D391K22Z5FL62L3H)	C0631	54-02205EAF-00	2.2 UF 50V +-20% ELECTROLYTIC CAP. (SMR SERIES)
C0521	54-E3901DKL-00	390 PF 500V +-10% CERAMIC CAP (D391K22Z5FL62L3H)	C0632	54-02205EAF-00	2.2 UF 50V +-20% ELECTROLYTIC CAP. (SMR SERIES)
C0523	54-A4708EAD-00	47 UF 180V +-20% ELECTROLYTIC CAP. (UVX2C470MHA)	C0633	54-02204CFV-01	0.22 UF 63V +-5% METALLIZED POLYESTER CAPACITOR (MS-CON TYPE, 6X1J224J-80)
C0525	54-04707EAD-00	470 UF 25V +-20% ELECTROLYTIC CAP. (SMR SERIES)	C0634	54-04708EAD-00	47 UF 25V +-20% ELECTROLYTIC CAP. (SMR SERIES)
C0528	54-A3307EAD-00	330 UF 200V +-20% ELECTROLYTIC CAP. (LLK20331MHSA)	C0635	54-02204CFV-01	0.22 UF 63V +-5% METALLIZED POLYESTER CAPACITOR (MS-CON TYPE, 6X1J224J-80)
C0527	54-A5807EAK-00	580 UF 400V +-20% ELECTROLYTIC CAP. (LLK20561MHSC)	C0643	54-U2204DFV-00	0.22 UF 63V +-10% METALLIZED FILM CAP. (2222 370 15224)
C0528	54-AZ2402CE0-00	0.0024 UF 1800V +-5% POLYPROPYLENE FILM CAPACITOR (BUH242J1800V) L.S. = 15MM	C0644	54-04708EAD-00	47 UF 25V +-20% ELECTROLYTIC CAP. (SMR SERIES)
C0529	54-A1008EAD-01	1000UF 25V +-20% ELECTROLYTIC CAPACITOR (UVX1E102MHA)	C0645	54-48800-75	68 PF 50V +-5% CERAMIC CAP
C0530	54-K1002EGK-00	1000PF 400VAC +-20% CERAMIC CAPACITOR-TEMPERATURE COMPENSATING(ECKDNS102MBX	C0648	54-04708EAD-00	47 UF 25V +-20% ELECTROLYTIC CAP. (SMR SERIES)
C0531	54-P1004DFV-00	0.1 UF 63V +-10% METALLIZED POLYESTER FILM CAP	C0649	54-U2204DFV-00	0.22 UF 63V +-10% METALLIZED FILM CAP. (2222 370 15224)
C0532	54-04707EAD-00	470 UF 25V +-20% ELECTROLYTIC CAP. (SMR SERIES)	C0650	54-48800-75	68 PF 50V +-5% CERAMIC CAP
C0533	54-E3901DKL-00	390 PF 500V +-10% CERAMIC CAP (D391K22Z5FL62L3H)	C0680	54-U5602DFJ-00	5600 PF 250V +-10% METALLIZED POLYESTER FILM CAPACITOR (2222370 41562)
C0534	54-04707EAD-00	470 UF 25V +-20% ELECTROLYTIC CAP. (SMR SERIES)	C0681	54-U3303DFG-00	33000 PF 100V +-10% METALLIZED POLYESTER FILM CAPACITOR (2222370 21333)
C0535	54-A3307EAC-00	330 UF 18V +-20% ELECTROLYTIC CAPACITOR (UVX1C331MPA)	C0682	54-E1004HBF-00	0.1 UF 50V +80% -20% CERAMIC CAP. (U104Z28Y5VF62J5H)
C0536	54-H4701DGK-00	470 PF 400 VAC +-10% CERAMIC CAP (DE1010B471KACT4K-KD)	C0683	54-U4704DFV-00	0.47 UF 63V +-10% METALLIZED FILM CAPACITOR (2222 370 15474)
C0539	54-H4701DGK-00	470 PF 400 VAC +-10% CERAMIC CAP (DE1010B471KACT4K-KD)	C0684	54-56801-75	680 PF 50V +-10% CERAMIC CAP
C0540	54-Q1004EFJ-01	0.1 UF 275V +-20% METALLIZED POLYESTER FILM CAP. (XG-VS)	C0685	54-01007EAD-00	100 UF 25V +-20% ELECTROLYTIC CAP. (SMR SERIES)
C0541	54-A2207EAC-00	220-UF 18V +-20% ELECTROLYTIC CAPACITOR (UVX1C221MPA)	C0686	54-U4704DFV-00	0.47 UF 63V +-10% METALLIZED FILM CAPACITOR (2222 370 15474)
C0542	54-E1004HBF-00	0.1 UF 50V +80% -20% CERAMIC CAP. (U104Z28Y5VF62J5H)	C0687	54-56801-75	680 PF 50V +-10% CERAMIC CAP
C0543	54-01008EAC-00	10 UF 18V +-20% ELECTROLYTIC CAP. (SMR SERIES)	C0688	54-U5602DFJ-00	5600 PF 250V +-10% METALLIZED POLYESTER FILM CAPACITOR (2222370 41562)
C0548	54-E1004HBF-00	0.1 UF 50V +80% -20% CERAMIC CAP. (U104Z28Y5VF62J5H)	C0689	54-U3303DFG-00	33000 PF 100V +-10% METALLIZED POLYESTER FILM CAPACITOR (2222370 21333)
C0601	54-E1004HBF-00	0.1 UF 50V +80% -20% CERAMIC CAP. (U104Z28Y5VF62J5H)	C0690	54-E1503DCF-00	0.015 UF 50V +-10% POLYESTER FILM CAP.
C0602	54-01007EAD-00	100 UF 25V +-20% ELECTROLYTIC CAP. (SMR SERIES)	C0691	54-E1503DCF-00	0.015 UF 50V +-10% POLYESTER FILM CAP.

ELECTRICAL PART LIST

LOC	CHILD	DESC	LOC	CHILD	DESC
C0892	54-U4704DFV-00	0.47 UF 83V +.10% METALLIZED FILM CAPACITOR (2222 370 15474)	C1101	54-04705EAD-00	4.7 UF 25V +.20% ELECTROLYTIC CAPACITOR (SMR TYPE)
C0893	54-U4704DFV-00	0.47 UF 83V +.10% METALLIZED FILM CAPACITOR (2222 370 15474)	C1102	54-01007EAC-00	100 UF 18V +.20% ELECTROLYTIC CAP. (SMR SERIES)
C0894	54-02205EAF-00	2.2 UF 50V +.20% ELECTROLYTIC CAP. (SMR SERIES)	C1103	54-04705EAD-00	4.7 UF 25V +.20% ELECTROLYTIC CAPACITOR (SMR TYPE)
C0895	54-02205EAF-00	2.2 UF 50V +.20% ELECTROLYTIC CAP. (SMR SERIES)	C1104	54-04708EAD-00	47 UF 25V +.20% ELECTROLYTIC CAP. (SMR SERIES)
C0704	54-04708EAB-00	47 UF 10V +.20% ELECTROLYTIC CAPACITOR (SMR TYPE)	C1105	54-01007EAD-00	100 UF 25V +.20% ELECTROLYTIC CAP. (SMR SERIES)
C0800	54-41001-75	100 PF 50V +.5% CERAMIC CAP	C1106	54-02205EAF-00	2.2 UF 50V +.20% ELECTROLYTIC CAP. (SMR SERIES)
C0801	54-41001-75	100 PF 50V +.5% CERAMIC CAP	C1107	54-02205EAF-00	2.2 UF 50V +.20% ELECTROLYTIC CAP. (SMR SERIES)
C0802	54-A1008EAF-00	10 UF 50V +.20% ELECTROLYTIC CAP	C1108	54-02208EAC-00	22 UF 18V +.20% ELECTROLYTIC CAP. (SMR SERIES)
C0803	54-02204CFV-00	0.22 UF 83V +.5% METALLIZED POLYESTER CAPACITOR (MS-CON TYPE)	C1109	54-A2207EAF-00	220 UF 50V +.20% ELECTROLYTIC CAPACITOR (UVX1H221MPA)
C0804	54-04704CFV-00	0.47 UF 83V +.5% METALLIZED POLYESTER CAPACITOR (MS-CON TYPE)	C1110	54-A2207EAF-00	220 UF 50V +.20% ELECTROLYTIC CAPACITOR (UVX1H221MPA)
C0805	54-04704CFV-00	0.47 UF 83V +.5% METALLIZED POLYESTER CAPACITOR (MS-CON TYPE)	C1111	54-P1004DFV-00	0.1 UF 83V +.10% METALLIZED POLYESTER FILM CAP
C0806	54-41001-75	100 PF 50V +.5% CERAMIC CAP	C1112	54-A2208EAC-00	2200 UF 18V +.20% ELECTROLYTIC CAPACITOR (UVX1C222MHA)
C0808	54-A1008EAF-00	10 UF 50V +.20% ELECTROLYTIC CAP	C1113	54-P1004DFV-00	0.1 UF 83V +.10% METALLIZED POLYESTER FILM CAP
C0809	54-A1008EAF-00	10 UF 50V +.20% ELECTROLYTIC CAP	C1114	54-A2208EAC-00	2200 UF 18V +.20% ELECTROLYTIC CAPACITOR (UVX1C222MHA)
C0810	54-04705EAD-00	4.7 UF 25V +.20% ELECTROLYTIC CAPACITOR (SMR TYPE)	C1115	54-A2208EAD-00	2200 UF 25V +.20% ELECTROLYTIC CAPACITOR (UVX1E222MHA)
C0811	54-02208EAF-00	22 UF 50V +.20% ELECTROLYTIC CAPACITOR (SMR TYPE)	C1116	54-P1004DFV-00	0.1 UF 83V +.10% METALLIZED POLYESTER FILM CAP
C0812	54-A1008EAF-00	10 UF 50V +.20% ELECTROLYTIC CAP	C1117	54-E1003DCF-00	0.01 UF 50V +.10% POLYESTER FILM CAPACITOR
C0813	54-52202-75	0.0022 UF 50V +.10% CERAMIC CAP	C1118	54-E1003DCF-00	0.01 UF 50V +.10% POLYESTER FILM CAPACITOR
C0814	54-51002-75	0.001 UF 50V +.10% CERAMIC CAP	C1301	54-E1003DCF-00	0.01 UF 50V +.10% POLYESTER FILM CAPACITOR
C0815	54-42000-75	20 PF 50V +.5% CERAMIC CAP	C1302	54-51504-78	0.15 UF 50V +.10% MYLAR CAP
C0816	54-42000-75	20 PF 50V +.5% CERAMIC CAP	C1303	54-AH1203DCG-00	0.012 UF 100V +.10% POLYESTER FILM CAPACITOR
C0817	54-A1008EAF-00	10 UF 50V +.20% ELECTROLYTIC CAP	C1304	54-A4708EAF-00	47 UF 50V +.20% ELECTROLYTIC CAP
C0818	54-E1004HBF-00	0.1 UF 50V +.80% .20% CERAMIC CAP. (U104Z29Y5VF82J5H)	C1305	54-04708EAB-00	47 UF 10V +.20% ELECTROLYTIC CAPACITOR (SMR TYPE)
C0818	54-A1007EAB-00	100 UF 10V +.20% ELECTROLYTIC CAP	C1306	54-A6803CCG-00	0.088 UF 100V +.5% POLYESTER FILM CAP. (TDY-2A683J) LONG LEAD TYPE
C0820	54-E1004HBF-00	0.1 UF 50V +.80% .20% CERAMIC CAP. (U104Z29Y5VF82J5H)	C1307	54-02203DMK-00	0.022 UF 400V DC +.10% METALLIZED POLYPROPYLENE FILM CAP PM-CON 7A2G223K-NA
C0827	54-A1008EAF-00	10 UF 50V +.20% ELECTROLYTIC CAP	C1308	54-A4705EAB-00	4.7 UF 180V +.20% ELECTROLYTIC CAP. (UVX2C4R7MPA)
C0828	54-04705EAD-00	4.7 UF 25V +.20% ELECTROLYTIC CAPACITOR (SMR TYPE)	C1309	54-65801-25	560 PF 2KV +.20% CERAMIC CAP
C0829	54-A1008EAF-00	10 UF 50V +.20% ELECTROLYTIC CAP	CF0800	86-57401-02	CERAMIC FILTER SFT5.74MA
C0830	54-41001-75	100 PF 50V +.5% CERAMIC CAP	CF0801	86-55001-02	CERAMIC FILTER 5.5 MHZ, TYPE NO. SFSH5.5MBC (SFE5.5MB)
C0832	54-41001-75	100 PF 50V +.5% CERAMIC CAP	D0102	51-08001-23	DIODE 1N4148
C0833	54-41001-75	100 PF 50V +.5% CERAMIC CAP	D0103	51-02023-01	ZENER DIODE 5.1V HZ5C2
C0834	54-E1004HBF-00	0.1 UF 50V +.80% .20% CERAMIC CAP. (U104Z29Y5VF82J5H)	D0104	51-08001-23	DIODE 1N4148
C0835	54-51002-75	0.001 UF 50V +.10% CERAMIC CAP	D0105	51-08001-23	DIODE 1N4148
C0836	54-E1002DCF-00	0.001 UF 50V +.10% POLYESTER FILM CAPACITOR	D0106	51-08001-23	DIODE 1N4148
C0837	54-72203-75	0.022 UF 50V +.80% .20% CERAMIC CAP	D0107	51-08001-23	DIODE 1N4148
C0838	54-01007EAC-00	100 UF 18V +.20% ELECTROLYTIC CAP. (SMR SERIES)	D0108	51-08001-23	DIODE 1N4148
C0839	54-01005EAF-00	1 UF 50V +.20% ELECTROLYTIC CAP. (SMR SERIES)	D0109	51-08001-23	DIODE 1N4148
C0840	54-E1002DCF-00	0.001 UF 50V +.10% POLYESTER FILM CAPACITOR	D0111	51-02023-01	ZENER DIODE 5.1V HZ5C2
C0841	54-01005EAF-00	1 UF 50V +.20% ELECTROLYTIC CAP. (SMR SERIES)	D0300	51-03028-35	RECTIFIER DIODE RMIZ (FOR HIGH SPEED)
C0842	54-E1002DCF-00	0.001 UF 50V +.10% POLYESTER FILM CAPACITOR	D0301	51-03057-05	RECTIFIER DIODE BY228
C0844	54-E1004HBF-00	0.1 UF 50V +.80% .20% CERAMIC CAP. (U104Z29Y5VF82J5H)	D0302	51-03001-48	RECTIFIER DIODE FR155 (TAPE FORM)
C1001	54-04708EAB-00	47 UF 10V +.20% ELECTROLYTIC CAPACITOR (SMR TYPE)	D0303	51-03053-05	RECTIFIER DIODE BYW95C (FOR FAST SPEED)
C1002	54-71003-75	0.01 UF 50V +.80% .20% CERAMIC CAP	D0304	51-03020-02	DIODE S5295 G

ELECTRICAL PART LIST

21

LOC	CHILD	DESC	LOC	CHILD	DESC
D0305	51-02023-01	ZENER DIODE 5.1V HZ5C2	IC0800	67-84735-02	I.C. L7805CV
D0391	51-03018-01	DIODE 1S2775 "TOSHIBA" TAPED REELED PACKAGE	IC0801	67-AF003857-01	I.C. TDA3857
D0392	51-02028-01	ZENER DIODE 7.5V HZ7C2	IC0802	67-AF008418-01	I.C. TDA8418
D0501	51-03020-02	DIODE S5295 G	IC0804	67-AF008425-01	I.C. TDA8425
D0502	51-03048-05	HIGH-SPEED SILICON DIODE BAW82	IC0701	67-AF84C122-01	I.C. PCA84C122
D0503	51-03048-05	HIGH-SPEED SILICON DIODE BAW82	IC0800	67-AF84C841-01	I.C. PCA84C841 CTV 350S
D0504	51-03048-05	HIGH-SPEED SILICON DIODE BAW82	IC0801	67-AF008522-01	I.C. PCF8522F
D0505	51-03048-05	HIGH-SPEED SILICON DIODE BAW82	IC0803	67-14215-01	I.C. LA7910
D0508	51-03052-05	RECTIFIER DIODE BYW54	IC0804	67-90430-01	I.C. UPC574J
D0507	51-03052-05	RECTIFIER DIODE BYW54	IC0805	67-34018-01	I.C. TC4053BP
D0508	51-03052-05	RECTIFIER DIODE BYW54	IC0901	67-32705-02	I.C. TC74HC241P
D0509	51-03052-05	RECTIFIER DIODE BYW54	IC1001	69-02015-02	PHOTO RECEIVER MODULE SPS-409-1-L
D0510	51-03051-05	RECTIFIER DIODE BYD33D (FOR FAST SPEED)	IC1101	67-85128-02	I.C. TDA2009A
D0512	51-03053-05	RECTIFIER DIODE BYW95C (FOR FAST SPEED)	L0100	59-08401-01	COIL (TYPE NO.: 292DCS-A491HM)
D0513	51-03048-05	RECTIFIER DIODE BYV98D	L0101	59-08401-10	5.8 UH +5% PEAKING COIL EC24-5R6J TAPED REELED PACKAGE
D0514	51-03054-05	RECTIFIER DIODE BYV28D (FOR HIGH SPEED)	L0106	59-08401-04	88 UH +10% COIL EC36-680K
D0515	51-03051-05	RECTIFIER DIODE BYD33D (FOR FAST SPEED)	L0107	59-08401-13	0.56 UH +20% COIL EC24-R58M
D0518	51-02024-01	ZENER DIODE 8.2V HZ6C2	L0111	59-08401-07	1.8 UH +10% PEAKING COIL (EC24-1R8K)
D0530	51-02029-01	ZENER DIODE HZ12A2 (12V) 1/2W TAPED REELED PACKAGE	L0300	59-08401-01	1.2 UH +10% COIL EC24-1R2K
D0541	51-08001-23	DIODE 1N4148	L0301	59-53103-01	LINEARITY COIL (LS-14F-05)
D0701	89-01014-29	LED - SE1003-C	L0303	59-02401-08	1 UH CHOKE COIL
D0800	51-08001-23	DIODE 1N4148	L0501	59-05804-01	5 UH +10% INDUCTOR COIL
D0801	51-08001-23	DIODE 1N4148	L0503	85-03005-31	FERRITE BEAD
D0805	51-08001-23	DIODE 1N4148	L0504	59-02401-08	1 UH CHOKE COIL
D0806	51-08001-23	DIODE 1N4148	L0505	85-03005-31	FERRITE BEAD
D0807	51-08001-23	DIODE 1N4148	L0506	59-02401-08	1 UH CHOKE COIL
D0808	51-08001-23	DIODE 1N4148	L0508	85-03005-31	FERRITE BEAD
D0809	51-08001-23	DIODE 1N4148	L0509	85-03005-31	FERRITE BEAD
D0810	51-08001-23	DIODE 1N4148	L0511	59-03401-01	INDUCTOR COIL 100 UH +15% (HIGH CURRENT)
D0812	51-08001-23	DIODE 1N4148	L0512	85-03005-31	FERRITE BEAD
D1101	51-08001-23	DIODE 1N4148	L0514	59-08401-03	12 UH +10% COIL EC24-120K
D1301	51-03001-48	RECTIFIER DIODE FR155 (TAPE FORM)	L0515	59-73783-02	LINE FILTER
D1302	51-03001-48	RECTIFIER DIODE FR155 (TAPE FORM)	L0520	59-08401-03	12 UH +10% COIL EC24-120K
F0501	72-01085-01	FUSE 5ST 5A250V (SEMKO APPROVAL)	L0600	59-08401-05	1 UH +10% PEAKING COIL (EC24-1R0K)
F80300	85-03005-31	FERRITE BEAD	L0601	59-08505-01	SOUND DEMODULATOR COIL 5.5 MHZ (7 MM)
IC0100	67-AF008382-01	I.C. TDA8382	L0602	59-08505-01	SOUND DEMODULATOR COIL 5.5 MHZ (7 MM)
IC0101	67-AF004885-01	I.C. TDA4885	L0603	59-08401-02	COIL 7MM (292KNAS-A601EL)
IC0103	67-AJ7808CV-01	I.C. L7808CV	L0800	59-06401-04	88 UH +10% COIL EC36-680K
IC0300	67-35730-01	I.C. TA8427K	L0801	59-06401-03	12 UH +10% COIL EC24-120K
IC0301	67-84735-01	I.C. L7812CV	L0802	59-06401-04	88 UH +10% COIL EC36-680K
IC0501	67-06220-01	I.C. TDA6380A	L0900	59-06401-04	88 UH +10% COIL EC36-680K
IC0502	69-02009-02	HIGH-VOLTAGE OPTOCOUPLER CNX82A.300	L1001	59-06401-04	88 UH +10% COIL EC36-680K
IC0504	67-84735-02	I.C. L7805CV	L1101	59-03401-01	INDUCTOR COIL 100 UH +15% (HIGH CURRENT)

ELECTRICAL PART LIST

LOC	CHILD	DESC
L1301	59-52902-01	CHOKE COIL 800UH +5% 0.5 OHM MAX. LCK-800
LD1001	89-01014-36	LED TLR114A (RED)
LD1002	89-01014-36	LED TLR114A (RED)
PSFD100	88-18001-33	SAW FILTER TSF5315 - 38.9 MHZ (FTZ VIDEO CHANNEL)
PT1100	61-10093-01	SPEAKER TERMINAL (HBT5008-01-010)
Q0101	50-40708-07	TRANSISTOR 2SC1815-Y
Q0102	50-40708-07	TRANSISTOR 2SC1815-Y
Q0104	50-40708-07	TRANSISTOR 2SC1815-Y
Q0105	50-40708-07	TRANSISTOR 2SC1815-Y
Q0108	50-40725-06	TRANSISTOR 2SC2717
Q0108	50-40708-07	TRANSISTOR 2SC1815-Y
Q0109	50-40708-07	TRANSISTOR 2SC1815-Y
Q0110	50-40708-07	TRANSISTOR 2SC1815-Y
Q0111	50-40708-07	TRANSISTOR 2SC1815-Y
Q0112	50-40708-07	TRANSISTOR 2SC1815-Y
Q0300	50-40708-07	TRANSISTOR 2SC1815-Y
Q0301	50-40758-05	TRANSISTOR 2SC1589
Q0302	50-40223-01	TRANSISTOR BU2520AX
Q0391	50-40708-07	TRANSISTOR 2SC1815-Y
Q0392	50-30715-07	TRANSISTOR 2SA1015-Y
Q0393	50-40708-07	TRANSISTOR 2SC1815-Y
Q0401	50-40733-04	TRANSISTOR 2SC2482
Q0402	50-40733-04	TRANSISTOR 2SC2482
Q0403	50-40733-04	TRANSISTOR 2SC2482
Q0502	50-40531-05	TRANSISTOR 2SC 3552M (W/IS-MPC MICA (0021))
Q0503	50-30715-07	TRANSISTOR 2SA1015-Y
Q0504	50-30715-07	TRANSISTOR 2SA1015-Y
Q0530	50-40527-07	TRANSISTOR 2SD612E
Q0531	50-40708-07	TRANSISTOR 2SC1815-Y
Q0600	50-40725-06	TRANSISTOR 2SC2717
Q0701	50-30715-08	TRANSISTOR 2SA1015GR
Q0800	50-40708-07	TRANSISTOR 2SC1815-Y
Q0801	50-40708-07	TRANSISTOR 2SC1815-Y
Q0802	50-40708-07	TRANSISTOR 2SC1815-Y
Q0803	50-40708-07	TRANSISTOR 2SC1815-Y
Q0804	50-40708-07	TRANSISTOR 2SC1815-Y
Q0805	50-40708-07	TRANSISTOR 2SC1815-Y
Q0806	50-40708-07	TRANSISTOR 2SC1815-Y
Q0808	50-40708-07	TRANSISTOR 2SC1815-Y
Q0809	50-40708-07	TRANSISTOR 2SC1815-Y
Q0810	50-40708-07	TRANSISTOR 2SC1815-Y
Q0811	50-40708-07	TRANSISTOR 2SC1815-Y
Q0812	50-40708-07	TRANSISTOR 2SC1815-Y

LOC	CHILD	DESC
Q0813	50-40708-07	TRANSISTOR 2SC1815-Y
Q1001	50-30715-07	TRANSISTOR 2SA1015-Y
Q1100	50-40783-02	TRANSISTOR 2SC2878B
Q1101	50-40783-02	TRANSISTOR 2SC2878B
Q1102	50-30715-07	TRANSISTOR 2SA1015-Y
Q1103	50-40708-07	TRANSISTOR 2SC1815-Y
Q1104	50-40708-07	TRANSISTOR 2SC1815-Y
Q1301	50-40708-07	TRANSISTOR 2SC1815-Y
Q1302	50-40708-07	TRANSISTOR 2SC1815-Y
Q1303	50-50704-11	TRANSISTOR 2SK30ATM-GR
Q1304	50-30715-07	TRANSISTOR 2SA1015-Y
Q1305	50-40755-07	TRANSISTOR 2SD880
R0103	52-AI3802CAC-01	390 OHM 1/4W +5% CARBON FILM RESISTOR RD25-TP52 TYPE
R0104	52-AI6803CAC-01	6.8 KOHM 1/4W +5% CARBON FILM RESISTOR RD25-TP52 TYPE
R0105	52-AI1805CAC-01	180 KOHM 1/4W +5% CARBON FILM RESISTOR RD25-TP52 TYPE
R0106	52-AI1803CAC-01	1.8 KOHM 1/4W +5% CARBON FILM RESISTOR RD25-TP52 TYPE
R0107	52-AI4703CAC-01	4.7 KOHM 1/4W +5% CARBON FILM RESISTOR RD25-TP52 TYPE
R0114	52-AI1004CAC-01	10 KOHM 1/4W +5% CARBON FILM RESISTOR RD25-TP52 TYPE
R0115	52-AI1004CAC-01	10 KOHM 1/4W +5% CARBON FILM RESISTOR RD25-TP52 TYPE
R0116	52-AI1003CAC-01	1 KOHM 1/4W +5% CARBON FILM RESISTOR RD25-TP52 TYPE
R0117	52-AI1003CAC-01	1 KOHM 1/4W +5% CARBON FILM RESISTOR RD25-TP52 TYPE
R0118	52-AI1003CAC-01	1 KOHM 1/4W +5% CARBON FILM RESISTOR RD25-TP52 TYPE
R0119	52-AI4701CAC-01	47 OHM 1/4W +5% CARBON FILM RESISTOR RD25-TP52 TYPE
R0120	52-AI1802CAC-01	180 OHM 1/4W +5% CARBON FILM RESISTOR RD25-TP52 TYPE
R0121	52-AI1102CAC-01	110 OHM 1/4W +5% CARBON FILM RESISTOR RD25-TP52 TYPE
R0122	52-AI2203CAC-01	2.2 KOHM 1/4W +5% CARBON FILM RESISTOR RD25-TP52 TYPE
R0123	52-AI1003CAC-01	1 KOHM 1/4W +5% CARBON FILM RESISTOR RD25-TP52 TYPE
R0124	52-AI7501CAC-01	75 OHM 1/4W +5% CARBON FILM RESISTOR RD25-TP52 TYPE
R0125	52-AI1004CAC-01	10 KOHM 1/4W +5% CARBON FILM RESISTOR RD25-TP52 TYPE
R0126	52-AI6803CAC-01	6.8 KOHM 1/4W +5% CARBON FILM RESISTOR RD25-TP52 TYPE
R0127	52-AI7501CAC-01	75 OHM 1/4W +5% CARBON FILM RESISTOR RD25-TP52 TYPE
R0128	52-AI1004CAC-01	10 KOHM 1/4W +5% CARBON FILM RESISTOR RD25-TP52 TYPE
R0129	52-AI1502CAC-01	150 OHM 1/4W +5% CARBON FILM RESISTOR RD25-TP52 TYPE
R0130	52-AI4702CAC-01	470 OHM 1/4W +5% CARBON FILM RESISTOR RD25-TP52 TYPE
R0131	52-AI4702CAC-01	470 OHM 1/4W +5% CARBON FILM RESISTOR RD25-TP52 TYPE
R0132	52-AI4702CAC-01	470 OHM 1/4W +5% CARBON FILM RESISTOR RD25-TP52 TYPE
R0133	52-AI4702CAC-01	470 OHM 1/4W +5% CARBON FILM RESISTOR RD25-TP52 TYPE
R0134	52-AI1004CAS-00	10 KOHM 1/8W +5% CARBON FILM RESISTOR
R0135	52-AI7501CAC-01	75 OHM 1/4W +5% CARBON FILM RESISTOR RD25-TP52 TYPE
R0136	52-AI7501CAC-01	75 OHM 1/4W +5% CARBON FILM RESISTOR RD25-TP52 TYPE
R0137	52-AI7501CAC-01	75 OHM 1/4W +5% CARBON FILM RESISTOR RD25-TP52 TYPE
R0138	52-AI1004CAC-01	10 KOHM 1/4W +5% CARBON FILM RESISTOR RD25-TP52 TYPE
R0139	52-AI1004CAC-01	10 KOHM 1/4W +5% CARBON FILM RESISTOR RD25-TP52 TYPE

ELECTRICAL PART LIST

23

LOC	CHILD	DESC
R0140	52-A11004CAC-01	10 KOHM 1/4W +5% CARBON FILM RESISTOR RD25-TP52 TYPE
R0142	52-A11005CAC-01	100 KOHM 1/4W +5% CARBON FILM RESISTOR RD25-TP52 TYPE
R0144	52-A11502CAC-01	150 OHM 1/4W +5% CARBON FILM RESISTOR RD25-TP52 TYPE
R0145	52-A11002CAC-01	100 OHM 1/4W +5% CARBON FILM RESISTOR RD25-TP52 TYPE
R0146	52-A11003CAC-01	1 KOHM 1/4W +5% CARBON FILM RESISTOR RD25-TP52 TYPE
R0147	52-A15605CAC-01	560 KOHM 1/4W +5% CARBON FILM RESISTOR RD25-TP52 TYPE
R0148	52-A11204CAC-01	12 KOHM 1/4W +5% CARBON FILM RESISTOR RD25-TP52 TYPE
R0149	52-A13306CAC-01	3.3 MOHM 1/4W +5% CARBON FILM RESISTOR RD25-TP52 TYPE
R0150	52-A13305CAC-01	330 KOHM 1/4W +5% CARBON FILM RESISTOR RD25-TP52 TYPE
R0151	52-A14706CAC-01	4.7 MOHM 1/4W +5% CARBO FILM RESISTOR RD25-TP52 TYPE
R0152	52-A11005CAC-01	100 KOHM 1/4W +5% CARBON FILM RESISTOR RD25-TP52 TYPE
R0153	52-A11005CAC-01	100 KOHM 1/4W +5% CARBON FILM RESISTOR RD25-TP52 TYPE
R0154	52-A12206CAC-01	2.2 MOHM 1/4W +5% CARBON FILM RESISTOR RD25-TP52 TYPE
R0155	52-A16804CAC-01	68 KOHM 1/4W +5% CARBON FILM RESISTOR RD25-TP52 TYPE
R0156	52-A18204CAC-01	82 KOHM 1/4W +5% CARBON FILM RESISTOR RD25-TP52 TYPE
R0157	52-A11002CAC-01	100 OHM 1/4W +5% CARBON FILM RESISTOR RD25-TP52 TYPE
R0158	52-A14701CAC-01	47 OHM 1/4W +5% CARBON FILM RESISTOR RD25-TP52 TYPE
R0159	52-A11001CAC-01	10 OHM 1/4W +5% CARBON FILM RESISTOR RD25-TP52 TYPE
R0160	52-A14703CAC-01	4.7 KOHM 1/4W +5% CARBON FILM RESISTOR RD25-TP52 TYPE
R0161	52-A11203CAS-00	1.2 KOHM 1/6W +5% CARBON FILM RESISTOR
R0162	52-A11203CAC-01	1.2 KOHM 1/4W +5% CARBON FILM RESISTOR RD25-TP52 TYPE
R0163	52-A11002CAC-01	100 OHM 1/4W +5% CARBON FILM RESISTOR RD25-TP52 TYPE
R0164	52-A11203CAC-01	1.2 KOHM 1/4W +5% CARBON FILM RESISTOR RD25-TP52 TYPE
R0165	52-A11004CAC-01	10 KOHM 1/4W +5% CARBON FILM RESISTOR RD25-TP52 TYPE
R0166	52-A13304CAC-01	33 KOHM 1/4W +5% CARBON FILM RESISTOR RD25-TP52 TYPE
R0167	52-A11003CAC-01	1 KOHM 1/4W +5% CARBON FILM RESISTOR RD25-TP52 TYPE
R0168	52-A15603CAC-01	5.6 KOHM 1/4W +5% CARBON FILM RESISTOR RD25-TP52 TYPE
R0169	52-A12202CAC-01	220 OHM 1/4W +5% CARBON FILM RESISTOR RD25-TP52 TYPE
R0171	52-A14703CAC-01	4.7 KOHM 1/4W +5% CARBON FILM RESISTOR RD25-TP52 TYPE
R0172	52-A14701CAC-01	47 OHM 1/4W +5% CARBON FILM RESISTOR RD25-TP52 TYPE
R0173	52-A14701CAC-01	47 OHM 1/4W +5% CARBON FILM RESISTOR RD25-TP52 TYPE
R0174	52-A14701CAC-01	47 OHM 1/4W +5% CARBON FILM RESISTOR RD25-TP52 TYPE
R0175	52-A11002CAC-01	100 OHM 1/4W +5% CARBON FILM RESISTOR RD25-TP52 TYPE
R0176	52-A11003CAC-01	1 KOHM 1/4W +5% CARBON FILM RESISTOR RD25-TP52 TYPE
R0177	52-A11004CAC-01	10 KOHM 1/4W +5% CARBON FILM RESISTOR RD25-TP52 TYPE
R0178	52-A11805CAC-01	180 KOHM 1/4W +5% CARBON FILM RESISTOR RD25-TP52 TYPE
R0179	52-A18202CAC-01	820 OHM 1/4W +5% CARBON FILM RESISTOR RD25-TP52 TYPE
R0180	52-86800CDF-00	6.8 OHM +5% 2W FUSIBLE METAL FILM RESISTOR (FRN-MG TYPE)
R0181	52-A11004CAC-01	10 KOHM 1/4W +5% CARBON FILM RESISTOR RD25-TP52 TYPE
R0182	52-A18202CAS-00	820 OHM 1/6W +5% CARBON FILM RESISTOR
R0183	52-A11003CAC-01	1 KOHM 1/4W +5% CARBON FILM RESISTOR RD25-TP52 TYPE
R0301	52-A14703CAC-01	4.7 KOHM 1/4W +5% CARBON FILM RESISTOR RD25-TP52 TYPE
R0302	52-A16803CAC-01	6.8 KOHM 1/4W +5% CARBON FILM RESISTOR RD25-TP52 TYPE

LOC	CHILD	DESC
R0303	52-A14703CAC-01	4.7 KOHM 1/4W +5% CARBON FILM RESISTOR RD25-TP52 TYPE
R0304	52-B2402CBF-00	240 OHM 2W +5% METAL OXIDE RESISTOR (RSN2B TYPE)
R0305	52-A15603CAC-01	5.6 KOHM 1/4W +5% CARBON FILM RESISTOR RD25-TP52 TYPE
R0306	52-A13303CAC-01	3.3 KOHM 1/4W +5% CARBON FILM RESISTOR RD25-TP52 TYPE
R0307	52-A11200CBF-00	1.2 OHM 2W +5% METAL OXIDE FILM RESISTOR (RSS-SMF TYPE)
R0308	52-A11001CAC-01	10 OHM 1/4W +5% CARBON FILM RESISTOR RD25-TP52 TYPE
R0309	52-A11003CAD-01	1 KOHM 1/2W +5% CARBON FILM RESISTOR (RD-050-TP)
R0310	52-A11204CAC-01	12 KOHM 1/4W +5% CARBON FILM RESISTOR RD25-TP52 TYPE
R0311	52-A11001CAD-01	10 OHM 1/2W +5% CARBON FILM RESISTOR (RD-050-TP)
R0312	52-A11004CAD-01	10 KOHM 1/2W +5% CARBON FILM RESISTOR (RD-050-TP)
R0313	52-A13603CBG-00	3.6 KOHM 3W +5% METAL OXIDE RESISTOR (RSS-SMF TYPE)
R0314	52-A13603CBG-00	3.6 KOHM 3W +5% METAL OXIDE RESISTOR (RSS-SMF TYPE)
R0315	52-B1003CBE-00	1 KOHM 1W +5% METAL OXIDE RESISTOR (RSN-1B TYPE)
R0316	52-A11005CAC-01	100 KOHM 1/4W +5% CARBON FILM RESISTOR RD25-TP52 TYPE
R0317	52-86800CDF-00	6.8 OHM +5% 2W FUSIBLE METAL FILM RESISTOR (FRN-MG TYPE)
R0318	52-B4300CBF-00	4.3 OHM 2W +5% METAL OXIDE RESISTOR (RSN-MG TYPE)
R0320	52-B04300CDF-00	0.43 OHM 2W +5% FUSIBLE METAL FILM RESISTOR (FRN-MG TYPE)
R0321	52-A12002CAD-01	200 OHM 1/2W +5% CARBON FILM RESISTOR (RD-050-TP)
R0324	52-A14701CAD-01	47 OHM 1/2W +5% CARBON FILM RESISTOR
R0329	52-A14703CAD-01	4.7 KOHM 1/2W +5% CARBON FILM RESISTOR
R0331	52-A11204CAC-01	12 KOHM 1/4W +5% CARBON FILM RESISTOR RD25-TP52 TYPE
R0332	52-A13303CAC-01	3.3 KOHM 1/4W +5% CARBON FILM RESISTOR RD25-TP52 TYPE
R0391	52-A17503CAC-01	7.5 KOHM 1/4W +5% CARBON FILM RESISTOR RD25-TP52 TYPE
R0392	52-A13303CAC-01	3.3 KOHM 1/4W +5% CARBON FILM RESISTOR RD25-TP52 TYPE
R0393	52-A11004CAC-01	10 KOHM 1/4W +5% CARBON FILM RESISTOR RD25-TP52 TYPE
R0394	52-A13303CAC-01	3.3 KOHM 1/4W +5% CARBON FILM RESISTOR RD25-TP52 TYPE
R0401	52-A11504CBF-00	15 KOHM 2W +5% METAL OXIDE RESISTOR (RSS-SMF TYPE)
R0402	52-A12703CAD-01	2.7 KOHM 1/2W +5% CARBON FILM RESISTOR (RD-050-TP)
R0403	52-A15602CAC-01	560 OHM 1/4W +5% CARBON FILM RESISTOR RD25-TP52 TYPE
R0404	52-A12203CAC-01	2.2 KOHM 1/4W +5% CARBON FILM RESISTOR RD25-TP52 TYPE
R0405	52-A11504CBF-00	15 KOHM 2W +5% METAL OXIDE RESISTOR (RSS-SMF TYPE)
R0406	52-A12703CAD-01	2.7 KOHM 1/2W +5% CARBON FILM RESISTOR (RD-050-TP)
R0407	52-A14702CAC-01	470 OHM 1/4W +5% CARBON FILM RESISTOR RD25-TP52 TYPE
R0408	52-A12203CAC-01	2.2 KOHM 1/4W +5% CARBON FILM RESISTOR RD25-TP52 TYPE
R0409	52-A11504CBF-00	15 KOHM 2W +5% METAL OXIDE RESISTOR (RSS-SMF TYPE)
R0410	52-A12703CAD-01	2.7 KOHM 1/2W +5% CARBON FILM RESISTOR (RD-050-TP)
R0411	52-A14702CAC-01	470 OHM 1/4W +5% CARBON FILM RESISTOR RD25-TP52 TYPE
R0412	52-A12203CAC-01	2.2 KOHM 1/4W +5% CARBON FILM RESISTOR RD25-TP52 TYPE
R0413	52-A11000CBF-00	1 OHM 2W +5% METAL OXIDE FILM RESISTOR (RSS-SMF TYPE)
R0414	52-A14701CAC-01	47 OHM 1/4W +5% CARBON FILM RESISTOR RD25-TP52 TYPE
R0415	52-A14701CAC-01	47 OHM 1/4W +5% CARBON FILM RESISTOR RD25-TP52 TYPE
R0416	52-A14701CAC-01	47 OHM 1/4W +5% CARBON FILM RESISTOR RD25-TP52 TYPE
R0501	52-I5606DFD-00	5.6 MOHM 1/2W +10% CARBON COMPOSITION RESISTOR (RC1/26F)

ELECTRICAL PART LIST

LOC	CHILD	DESC
R0502	52-AI1001CBG-00	10 OHM 3W +5% METAL OXIDE FILM RESISTOR (RSS-SMF TYPE)
R0503	52-AI2202CAC-01	220 OHM 1/4W +5% CARBON FILM RESISTOR RD25-TP52 TYPE
R0504	52-AI2204CAC-01	22 KOHM 1/4W +5% CARBON FILM RESISTOR RD25-TP52 TYPE
R0505	52-AI1205CAC-01	120 KOHM 1/4W +5% CARBON FILM RESISTOR RD25-TP52 TYPE
R0506	52-AI3003CAC-01	3 KOHM 1/4W +5% CARBON FILM RESISTOR RD25-TP52 TYPE
R0507	52-AI3301CAC-01	33 OHM 1/4W +5% CARBON FILM RESISTOR RD25-TP52 TYPE
R0508	52-AI4704CAC-01	47 KOHM 1/4W +5% CARBON FILM RESISTOR RD25-TP52 TYPE
R0509	52-B0390CBF-01	0.39 OHM 2W +5% METAL OXIDE FILM RESISTOR (RSS TYPE, MG FORM)
R0510	52-B0390CBF-01	0.39 OHM 2W +5% METAL OXIDE FILM RESISTOR (RSS TYPE, MG FORM)
R0511	52-B1504CDD-00	15 KOHM 1/2W +5% FUSIBLE METAL FILM RESISTOR (FRN TYPE)
R0512	52-AI3904CBG-00	39 KOHM 3W +5% METAL OXIDE FILM RESISTOR (RSS-SMF TYPE)
R0513	52-AI1004CAC-01	10 KOHM 1/4W +5% CARBON FILM RESISTOR RD25-TP52 TYPE
R0514	52-B3302CHJ-00	330 OHM 10W +5% WIRE WOUND RESISTOR (SQZ TYPE, CEMENT TYPE)
R0515	52-11007EFD-00	10 MOHM 1/2W +20% CARBON COMPOSITION RESISTOR (RC112GF)
R0518	52-AQ4704CND-01	47 KOHM 1/2W +5% METAL FILM RESISTOR (BROWN) (RJ TYPE)
R0519	52-AQ4704CND-01	47 KOHM 1/2W +5% METAL FILM RESISTOR (BROWN) (RJ TYPE)
R0520	52-AI1005CAD-01	100 KOHM 1/2W +5% CARBON FILM RESISTOR
R0521	52-AI3303CAC-01	3.3 KOHM 1/4W +5% CARBON FILM RESISTOR RD25-TP52 TYPE
R0522	52-B1001CCK-00	1 OHM 15W +5% WIRE WOUND RESISTOR (CEMENT TYPE SQZ TYPE)
R0523	52-L1801FIX-02	THERMISTOR PTH451C202BG180N270
R0524	52-AI6803CAC-01	6.8 KOHM 1/4W +5% CARBON FILM RESISTOR RD25-TP52 TYPE
R0525	52-AI1003CAC-01	1 KOHM 1/4W +5% CARBON FILM RESISTOR RD25-TP52 TYPE
R0528	52-AI1004CAC-01	10 KOHM 1/4W +5% CARBON FILM RESISTOR RD25-TP52 TYPE
R0527	52-AI1000CAC-01	1 OHM 1/4W +5% CARBON FILM RESISTOR RD25-TP52 TYPE
R0528	52-AI2701CBF-00	27 OHM 2W +5% METAL OXIDE FIXED RESISTOR (RSS2W SMF270HMJ)
R0530	52-B1000CBD-00	1 OHM 1/2W +5% METAL OXIDE RESISTOR (RSN TYPE)
R0531	52-AI5102CAD-01	510 OHM 1/2W +5% CARBON FILM RESISTOR
R0532	52-AI3303CAC-01	3.3 KOHM 1/4W +5% CARBON FILM RESISTOR RD25-TP52 TYPE
R0533	52-AI6803CAC-01	6.8 KOHM 1/4W +5% CARBON FILM RESISTOR RD25-TP52 TYPE
R0800	52-AI1801CBF-00	18 OHM 2W +5% METAL OXIDE RESISTOR (RSS-SMF TYPE)
R0801	52-AI8201CAC-01	82 OHM 1/4W +5% CARBON FILM RESISTOR RD25-TP52 TYPE
R0802	52-AI1001CAC-01	10 OHM 1/4W +5% CARBON FILM RESISTOR RD25-TP52 TYPE
R0803	52-AI4703CAC-01	4.7 KOHM 1/4W +5% CARBON FILM RESISTOR RD25-TP52 TYPE
R0804	52-AI1203CAC-01	1.2 KOHM 1/4W +5% CARBON FILM RESISTOR RD25-TP52 TYPE
R0805	52-AI8201CAC-01	82 OHM 1/4W +5% CARBON FILM RESISTOR RD25-TP52 TYPE
R0806	52-AI8201CAC-01	82 OHM 1/4W +5% CARBON FILM RESISTOR RD25-TP52 TYPE
R0807	52-AI1001CAC-01	10 OHM 1/4W +5% CARBON FILM RESISTOR RD25-TP52 TYPE
R0808	52-AI5802CAC-01	580 OHM 1/4W +5% CARBON FILM RESISTOR RD25-TP52 TYPE
R0809	52-AI5802CAC-01	580 OHM 1/4W +5% CARBON FILM RESISTOR RD25-TP52 TYPE
R0810	52-AI1503CAC-01	1.5 KOHM 1/4W +5% CARBON FILM RESISTOR RD25-TP52 TYPE
R0811	52-AI2203CAC-01	2.2 KOHM 1/4W +5% CARBON FILM RESISTOR RD25-TP52 TYPE
R0812	52-AI2203CAC-01	2.2 KOHM 1/4W +5% CARBON FILM RESISTOR RD25-TP52 TYPE
R0813	52-AI9102CAC-01	910 OHM 1/4W +5% CARBON FILM RESISTOR RD25-TP52 TYPE

0000

LOC	CHILD	DESC
R0814	52-AI1203CAC-01	1.2 KOHM 1/4W +5% CARBON FILM RESISTOR RD25-TP52 TYPE
R0815	52-AI1503CAC-01	1.5 KOHM 1/4W +5% CARBON FILM RESISTOR RD25-TP52 TYPE
R0830	52-AI5103CAC-01	5.1 KOHM 1/4W +5% CARBON FILM RESISTOR RD25-TP52 TYPE
R0830	52-B6803CBF-00	6.8 KOHM 2W +5% METAL OXIDE RESISTOR (RSN TYPE)
R0831	52-AI5103CAC-01	5.1 KOHM 1/4W +5% CARBON FILM RESISTOR RD25-TP52 TYPE
R0832	52-AI1004CAC-01	10 KOHM 1/4W +5% CARBON FILM RESISTOR RD25-TP52 TYPE
R0833	52-AI1004CAC-01	10 KOHM 1/4W +5% CARBON FILM RESISTOR RD25-TP52 TYPE
R0841	52-AI1004CAC-01	10 KOHM 1/4W +5% CARBON FILM RESISTOR RD25-TP52 TYPE
R0842	52-AI1008CAC-01	1 MOHM 1/4W +5% CARBON FILM RESISTOR RD25-TP52 TYPE
R0843	52-AI1004CAC-01	10 KOHM 1/4W +5% CARBON FILM RESISTOR RD25-TP52 TYPE
R0844	52-AI1008CAC-01	1 MOHM 1/4W +5% CARBON FILM RESISTOR RD25-TP52 TYPE
R0880	52-AI1004CAC-01	10 KOHM 1/4W +5% CARBON FILM RESISTOR RD25-TP52 TYPE
R0881	52-AI1004CAC-01	10 KOHM 1/4W +5% CARBON FILM RESISTOR RD25-TP52 TYPE
R0882	52-AI2000CAC-01	2 OHM 1/4W +5% CARBON FILM RESISTOR RD25-TP52 TYPE
R0883	52-AI1504CAC-01	15 KOHM 1/4W +5% CARBON FILM RESISTOR RD25-TP52 TYPE
R0884	52-AI1504CAC-01	15 KOHM 1/4W +5% CARBON FILM RESISTOR RD25-TP52 TYPE
R0885	52-AI5103CAC-01	5.1 KOHM 1/4W +5% CARBON FILM RESISTOR RD25-TP52 TYPE
R0886	52-AI5103CAC-01	5.1 KOHM 1/4W +5% CARBON FILM RESISTOR RD25-TP52 TYPE
R0701	52-AI1003CAS-00	1 KOHM 1/8W +5% CARBON FILM RESISTOR
R0702	52-AI1201CAS-00	12 OHM 1/8W +5% CARBON FILM RESISTOR
R0703	52-AI1004CAS-00	10 KOHM 1/8W +5% CARBON FILM RESISTOR
R0800	52-AI1003CAC-01	1 KOHM 1/4W +5% CARBON FILM RESISTOR RD25-TP52 TYPE
R0801	52-AI2204CAC-01	22 KOHM 1/4W +5% CARBON FILM RESISTOR RD25-TP52 TYPE
R0802	52-AI1004CAC-01	10 KOHM 1/4W +5% CARBON FILM RESISTOR RD25-TP52 TYPE
R0803	52-AI1805CAC-01	180 KOHM 1/4W +5% CARBON FILM RESISTOR RD25-TP52 TYPE
R0804	52-AI1504CAC-01	15 KOHM 1/4W +5% CARBON FILM RESISTOR RD25-TP52 TYPE
R0805	52-AI6803CAC-01	6.8 KOHM 1/4W +5% CARBON FILM RESISTOR RD25-TP52 TYPE
R0806	52-AI6803CAC-01	6.8 KOHM 1/4W +5% CARBON FILM RESISTOR RD25-TP52 TYPE
R0808	52-AI1004CAC-01	10 KOHM 1/4W +5% CARBON FILM RESISTOR RD25-TP52 TYPE
R0809	52-AI1003CAC-01	1 KOHM 1/4W +5% CARBON FILM RESISTOR RD25-TP52 TYPE
R0810	52-AI6203CAC-01	6.2 KOHM 1/4W +5% CARBON FILM RESISTOR RD25-TP52 TYPE
R0812	52-AI1504CAC-01	15 KOHM 1/4W +5% CARBON FILM RESISTOR RD25-TP52 TYPE
R0813	52-AI4704CAC-01	47 KOHM 1/4W +5% CARBON FILM RESISTOR RD25-TP52 TYPE
R0814	52-AI1004CAC-01	10 KOHM 1/4W +5% CARBON FILM RESISTOR RD25-TP52 TYPE
R0815	52-AI1203CAC-01	1.2 KOHM 1/4W +5% CARBON FILM RESISTOR RD25-TP52 TYPE
R0816	52-AI4703CAC-01	4.7 KOHM 1/4W +5% CARBON FILM RESISTOR RD25-TP52 TYPE
R0818	52-AI1004CAC-01	10 KOHM 1/4W +5% CARBON FILM RESISTOR RD25-TP52 TYPE
R0819	52-AI1003CAC-01	1 KOHM 1/4W +5% CARBON FILM RESISTOR RD25-TP52 TYPE
R0820	52-AI5103CAC-01	5.1 KOHM 1/4W +5% CARBON FILM RESISTOR RD25-TP52 TYPE
R0821	52-AI1503CAC-01	1.5 KOHM 1/4W +5% CARBON FILM RESISTOR RD25-TP52 TYPE
R0822	52-AI3304CAC-01	33 KOHM 1/4W +5% CARBON FILM RESISTOR RD25-TP52 TYPE
R0823	52-AI3304CAC-01	33 KOHM 1/4W +5% CARBON FILM RESISTOR RD25-TP52 TYPE
R0824	52-AI2703CAC-01	2.7 KOHM 1/4W +5% CARBON FILM RESISTOR RD25-TP52 TYPE

ELECTRICAL PART LIST

25

LOC	CHILD	DESC	LOC	CHILD	DESC
R0825	52-A11004CAC-01	10 KOHM 1/4W +5% CARBON FILM RESISTOR RD25-TP52 TYPE	R0886	52-A11004CAC-01	10 KOHM 1/4W +5% CARBON FILM RESISTOR RD25-TP52 TYPE
R0826	52-A11004CAC-01	10 KOHM 1/4W +5% CARBON FILM RESISTOR RD25-TP52 TYPE	R0887	52-A14704CAC-01	47 KOHM 1/4W +5% CARBON FILM RESISTOR RD25-TP52 TYPE
R0827	52-A12204CAC-01	22 KOHM 1/4W +5% CARBON FILM RESISTOR RD25-TP52 TYPE	R0888	52-A11004CAC-01	10 KOHM 1/4W +5% CARBON FILM RESISTOR RD25-TP52 TYPE
R0828	52-A11004CAC-01	10 KOHM 1/4W +5% CARBON FILM RESISTOR RD25-TP52 TYPE	R0889	52-A11004CAC-01	10 KOHM 1/4W +5% CARBON FILM RESISTOR RD25-TP52 TYPE
R0829	52-A11803CAC-01	1.8 KOHM 1/4W +5% CARBON FILM RESISTOR RD25-TP52 TYPE	R1001	52-A11502CAD-01	150 OHM 1/2W +5% CARBON FILM RESISTOR
R0830	52-A11003CAC-01	1 KOHM 1/4W +5% CARBON FILM RESISTOR RD25-TP52 TYPE	R1002	52-A11502CAD-01	150 OHM 1/2W +5% CARBON FILM RESISTOR
R0831	52-A11003CAC-01	1 KOHM 1/4W +5% CARBON FILM RESISTOR RD25-TP52 TYPE	R1003	52-A14704CAC-01	47 KOHM 1/4W +5% CARBON FILM RESISTOR RD25-TP52 TYPE
R0832	52-A11003CAC-01	1 KOHM 1/4W +5% CARBON FILM RESISTOR RD25-TP52 TYPE	R1004	52-A11203CAC-01	1.2 KOHM 1/4W +5% CARBON FILM RESISTOR RD25-TP52 TYPE
R0833	52-A11003CAC-01	1 KOHM 1/4W +5% CARBON FILM RESISTOR RD25-TP52 TYPE	R1005	52-A14702CAC-01	470 OHM 1/4W +5% CARBON FILM RESISTOR RD25-TP52 TYPE
R0834	52-A11003CAC-01	1 KOHM 1/4W +5% CARBON FILM RESISTOR RD25-TP52 TYPE	R1100	52-A14703CAC-01	4.7 KOHM 1/4W +5% CARBON FILM RESISTOR RD25-TP52 TYPE
R0835	52-A11003CAC-01	1 KOHM 1/4W +5% CARBON FILM RESISTOR RD25-TP52 TYPE	R1102	52-A12203CAC-01	2.2 KOHM 1/4W +5% CARBON FILM RESISTOR RD25-TP52 TYPE
R0836	52-A11003CAC-01	1 KOHM 1/4W +5% CARBON FILM RESISTOR RD25-TP52 TYPE	R1103	52-A12203CAC-01	2.2 KOHM 1/4W +5% CARBON FILM RESISTOR RD25-TP52 TYPE
R0837	52-A11003CAC-01	1 KOHM 1/4W +5% CARBON FILM RESISTOR RD25-TP52 TYPE	R1104	52-A14703CAC-01	4.7 KOHM 1/4W +5% CARBON FILM RESISTOR RD25-TP52 TYPE
R0838	52-A14703CAC-01	4.7 KOHM 1/4W +5% CARBON FILM RESISTOR RD25-TP52 TYPE	R1105	52-A13304CAC-01	33 KOHM 1/4W +5% CARBON FILM RESISTOR RD25-TP52 TYPE
R0839	52-A14703CAC-01	4.7 KOHM 1/4W +5% CARBON FILM RESISTOR RD25-TP52 TYPE	R1108	52-A11303CAC-01	1.3 KOHM 1/4W +5% CARBON FILM RESISTOR RD25-TP52 TYPE
R0840	52-A14703CAC-01	4.7 KOHM 1/4W +5% CARBON FILM RESISTOR RD25-TP52 TYPE	R1109	52-A13301CAC-01	33 OHM 1/4W +5% CARBON FILM RESISTOR RD25-TP52 TYPE
R0841	52-A14703CAC-01	4.7 KOHM 1/4W +5% CARBON FILM RESISTOR RD25-TP52 TYPE	R1110	52-A11000CAC-01	1 OHM 1/4W +5% CARBON FILM RESISTOR RD25-TP52 TYPE
R0844	52-A11003CAC-01	1 KOHM 1/4W +5% CARBON FILM RESISTOR RD25-TP52 TYPE	R1111	52-A13301CAC-01	33 OHM 1/4W +5% CARBON FILM RESISTOR RD25-TP52 TYPE
R0845	52-A14704CAC-01	47 KOHM 1/4W +5% CARBON FILM RESISTOR RD25-TP52 TYPE	R1112	52-A11303CAC-01	1.3 KOHM 1/4W +5% CARBON FILM RESISTOR RD25-TP52 TYPE
R0846	52-A11004CAC-01	10 KOHM 1/4W +5% CARBON FILM RESISTOR RD25-TP52 TYPE	R1113	52-A11000CAC-01	1 OHM 1/4W +5% CARBON FILM RESISTOR RD25-TP52 TYPE
R0847	52-A11003CAC-01	1 KOHM 1/4W +5% CARBON FILM RESISTOR RD25-TP52 TYPE	R1114	52-A10220CBF-00	0.22 OHM 2W +5% METAL OXIDE RESISTOR (RSS-SMF TYPE)
R0848	52-A13303CAC-01	3.3 KOHM 1/4W +5% CARBON FILM RESISTOR RD25-TP52 TYPE	R1115	52-A10220CBF-00	0.22 OHM 2W +5% METAL OXIDE RESISTOR (RSS-SMF TYPE)
R0849	52-A11002CAC-01	100 OHM 1/4W +5% CARBON FILM RESISTOR RD25-TP52 TYPE	R1301	52-A11504CAC-01	15 KOHM 1/4W +5% CARBON FILM RESISTOR RD25-TP52 TYPE
R0850	52-A13303CAC-01	3.3 KOHM 1/4W +5% CARBON FILM RESISTOR RD25-TP52 TYPE	R1302	52-A17504CAC-01	75 KOHM 1/4W +5% CARBON FILM RESISTOR RD25-TP52 TYPE
R0851	52-A11002CAC-01	100 OHM 1/4W +5% CARBON FILM RESISTOR RD25-TP52 TYPE	R1303	52-A11505CAC-01	150 KOHM 1/4W +5% CARBON FILM RESISTOR RD25-TP52 TYPE
R0853	52-A11004CAC-01	10 KOHM 1/4W +5% CARBON FILM RESISTOR RD25-TP52 TYPE	R1304	52-A12705CAC-01	270 KOHM 1/4W +5% CARBON FILM RESISTOR RD25-TP52 TYPE
R0854	52-A11004CAC-01	10 KOHM 1/4W +5% CARBON FILM RESISTOR RD25-TP52 TYPE	R1305	52-A11004CAC-01	10 KOHM 1/4W +5% CARBON FILM RESISTOR RD25-TP52 TYPE
R0855	52-A11004CAC-01	10 KOHM 1/4W +5% CARBON FILM RESISTOR RD25-TP52 TYPE	R1306	52-A14703CAC-01	4.7 KOHM 1/4W +5% CARBON FILM RESISTOR RD25-TP52 TYPE
R0860	52-A13303CAC-01	3.3 KOHM 1/4W +5% CARBON FILM RESISTOR RD25-TP52 TYPE	R1307	52-A12704CAC-01	27 KOHM 1/4W +5% CARBON FILM RESISTOR RD25-TP52 TYPE
R0864	52-A11002CAS-00	100 OHM 1/8W +5% CARBON FILM RESISTOR	R1308	52-A12404CAC-01	24 KOHM 1/4W +5% CARBON FILM RESISTOR RD25-TP52 TYPE
R0865	52-A11004CAC-01	10 KOHM 1/4W +5% CARBON FILM RESISTOR RD25-TP52 TYPE	R1309	52-A11805CAC-01	180 KOHM 1/4W +5% CARBON FILM RESISTOR RD25-TP52 TYPE
R0866	52-A14304CAC-01	43 KOHM 1/4W +5% CARBON FILM RESISTOR (RD25-TP52 TYPE)	R1310	52-A12204CAC-01	22 KOHM 1/4W +5% CARBON FILM RESISTOR RD25-TP52 TYPE
R0867	52-A11004CAC-01	10 KOHM 1/4W +5% CARBON FILM RESISTOR RD25-TP52 TYPE	R1311	52-A11504CAC-01	15 KOHM 1/4W +5% CARBON FILM RESISTOR RD25-TP52 TYPE
R0868	52-A11803CAC-01	1.8 KOHM 1/4W +5% CARBON FILM RESISTOR RD25-TP52 TYPE	R1312	52-A11002CAC-01	100 OHM 1/4W +5% CARBON FILM RESISTOR RD25-TP52 TYPE
R0869	52-A11004CAS-00	10 KOHM 1/8W +5% CARBON FILM RESISTOR	R1313	52-A11003CAC-01	1 KOHM 1/4W +5% CARBON FILM RESISTOR RD25-TP52 TYPE
R0878	52-A17501CAS-00	75 OHM 1/8W +5% CARBON FILM RESISTOR	R1314	52-A12403CAC-01	2.4 KOHM 1/4W +5% CARBON FILM RESISTOR RD25-TP52 TYPE
R0879	52-A11004CAC-01	10 KOHM 1/4W +5% CARBON FILM RESISTOR RD25-TP52 TYPE	R1315	52-A11204CAC-01	12 KOHM 1/4W +5% CARBON FILM RESISTOR RD25-TP52 TYPE
R0890	52-A12204CAC-01	22 KOHM 1/4W +5% CARBON FILM RESISTOR RD25-TP52 TYPE	R1316	52-A12003CAC-01	2 KOHM 1/4W +5% CARBON FILM RESISTOR RD25-TP52 TYPE
R0891	52-A11803CAC-01	1.8 KOHM 1/4W +5% CARBON FILM RESISTOR RD25-TP52 TYPE	R1317	52-A14703CAC-01	4.7 KOHM 1/4W +5% CARBON FILM RESISTOR RD25-TP52 TYPE
R0892	52-A17501CAC-01	75 OHM 1/4W +5% CARBON FILM RESISTOR RD25-TP52 TYPE	R1318	52-I2703CFD-00	2.7 KOHM 1/2W +5% CARBON COMPOSITION RESISTOR (RC1126F)
R0893	52-A11004CAC-01	10 KOHM 1/4W +5% CARBON FILM RESISTOR RD25-TP52 TYPE	R1319	52-A11001CBG-00	10 OHM 3W +5% METAL OXIDE FILM RESISTOR (RSS-SMF TYPE)
R0894	52-A11004CAC-01	10 KOHM 1/4W +5% CARBON FILM RESISTOR RD25-TP52 TYPE	R1320	52-A13904CAC-01	39 KOHM 1/4W +5% CARBON FILM RESISTOR RD25-TP52 TYPE
R0895	52-A14704CAC-01	47 KOHM 1/4W +5% CARBON FILM RESISTOR RD25-TP52 TYPE	R1321	52-A11003CAC-01	1 KOHM 1/4W +5% CARBON FILM RESISTOR RD25-TP52 TYPE

ELECTRICAL PART LIST

LOC	CHILD	DESC		LOC	CHILD	DESC
R1322	52-A11805CAC-01	180 KOHM 1/4W +5% CARBON FILM RESISTOR RD25-TP52 TYPE		T0300	58-27183-01	DRIVE TRANSFORMER HB19F152
R1801	52-15608DFD-00	5.8 MOHM 1/2W +10% CARBON COMPOSITION RESISTOR (RC1/2G/F)		T0301	58-87428-01	'TAIDI' 28" FLYBACK TRANSFORMER
S1001	81-10094-01	MINI CONNECTOR (S-VIDEO JACK) (TCS7845-14-201)		T0501	58-87451-01	SWITCHING TRANSFORMER KB49C278A
S1001	84-30101-32	TACT SWITCH 1P1T (KPT-1105V)		VR0100	53-10420-40	10 KOHM B +30% SEMI-FIXED RESISTOR (EVN-D8A A03 B14)
S1002	81-00127-07	RCA PIN JACK - RED (UIC-1070-03)		VR0101	53-10420-40	10 KOHM B +30% SEMI-FIXED RESISTOR (EVN-D8A A03 B14)
S1002	84-30101-32	TACT SWITCH 1P1T (KPT-1105V)		VR0300	53-10320-18	1 KOHM B +30% SEMI-FIXED RESISTOR (EVN-D8A A03 B13)
S1003	84-30101-32	TACT SWITCH 1P1T (KPT-1105V)		VR0301	53-10320-18	1 KOHM B +30% SEMI-FIXED RESISTOR (EVN-D8A A03 B13)
S1004	84-30101-32	TACT SWITCH 1P1T (KPT-1105V)		VR0302	53-10420-40	10 KOHM B +30% SEMI-FIXED RESISTOR (EVN-D8A A03 B14)
S1005	84-30101-32	TACT SWITCH 1P1T (KPT-1105V)		VR0401	53-10420-24	10 KOHM B +25% SEMI-FIXED RESISTOR (RVF8W01A-103)
S1006	84-30101-32	TACT SWITCH 1P1T (KPT-1105V)		VR0402	53-20220-09	200 OHM B +25% VARIABLE RESISTOR (VZ087H1B2200HM)
S1007	84-30101-32	TACT SWITCH 1P1T (KPT-1105V)		VR0403	53-10420-24	10 KOHM B +25% SEMI-FIXED RESISTOR (RVF8W01A-103)
S1008	84-30101-32	TACT SWITCH 1P1T (KPT-1105V)		VR0404	53-20220-09	200 OHM B +25% VARIABLE RESISTOR (VZ087H1B2200HM)
S1009	84-30101-32	TACT SWITCH 1P1T (KPT-1105V)		VR0405	53-10420-24	10 KOHM B +25% SEMI-FIXED RESISTOR (RVF8W01A-103)
S1010	84-30101-32	TACT SWITCH 1P1T (KPT-1105V)		VR0501	53-30320-01	3 KOHM B SEMI-FIXED RESISTOR
S1011	84-30101-32	TACT SWITCH 1P1T (KPT-1105V)		VR1301	53-30420-22	30 KOHM B +30% SEMI-FIXED RESISTOR (EVN-D8A A03 B34)
SFO800	88-18001-32	SAW FILTER TS85301 - 38.9 MHZ (QUASI-PARALLEL SOUND)		VR1302	53-50320-22	5 KOHM B +30% SEMI-FIXED RESISTOR (EVN-D8AA03B53)
SP0001	83-10805-05	SPEAKER 5" 8 OHM 5W (MAX.8W)(BS12088)		X0100	88-35801-07	CRYSTAL 3.579545MHZ HC-18/U-RW 18PF
SP0002	83-10805-05	SPEAKER 5" 8 OHM 5W (MAX.8W)(BS12088)		X0101	88-44331-10	CRYSTAL 4.43MHZ HC18-U 'SHEN FENG'
SW0501	84-30202-38	POWER SWITCH 2P2T (SDDF3PASP)		X0830	88-10002-01	CRYSTAL 10MHZ
SW1001	81-10082-01	MINIATURE JACK (HEADPHONE JACK) (HSJ0914-01-040)		X0701	88-43001-01	CERAMIC RESONATOR 4.300 MHZ (TYPE: CST 4.30MGW)
SW1101	84-20202-84	SLIDE SWITCH (SK-22F08-G(A)10)		X0800	88-10002-01	CRYSTAL 10MHZ

Item	Part Number	Description
1.	01-23565-00	LOCATOR - BLACK MOULDED (HIPS) (RED)
2.	01-32497-00	CABLE TIE FOR AC CORD
3.	01-33588-03	BACK CABINET - BLACK MOULDED (94VO MATERIAL)
4.	01-33592-00	SPEAKER BOX
5.	01-33593-00	SPEAKER BOX COVER
6.	01-33594-02	CHASSIS BRACKET - BLACK MOULDED (94VO MATERIAL)
7.	01-53755-02	FRONT DOOR - DARK RED MOULDED
8.	01-33599-02	JACK PLATE - BLACK MOULDED 94VO MATERIAL
9.	01-33600-07	POWER ON/OFF KNOB - BLACK MOULDED I-N73-Y
10.	01-33601-00	FUNCTION KNOB
11.	01-33604-00	MOUNTING BRACKET (HIPS) (RED)
12.	01-33605-00	MOUNTING BRACKET - FOR SPEAKER BOX (HIPS) (RED)
13.	01-33606-00	LED HOLDER
14.	01-42646-05	CABLE TIE 4"
15.	01-43622-00	PUSH CATCH
16.	01-43671-00	INFRARED LENS - TRANSPARENT - DARK RED
17.	01-43685-00	LED LENS
18.	01-53698-03	FRONT CABINET -- HANDSET (FOR TEAC)
19.	01-53699-03	BACK CABINET - HANDSET (FOR TEAC)
20.	01-53700-03	BATTERY DOOR - HANDSET (FOR TEAC)
21.	01-53701-00	RUBBER CONTACT W/47 KNOBS
22.	01-53710-15	FRONT CABINET I-N73-Y
23.	01-63762-00	CRT MTG BRACKET
24.	01-63782F-00	PLASTIC PLATE (HIPS) (RED)
25.	01-63791-01	TOP COVER (94VO)
26.	01-73116-01	FORK (UL MATERIAL)
27.	01-73190-00	FUSE COVER
28.	01-83251-00	RUBBER WASHER OD=22 ID=6 THK=4
29.	02-21229-01	HEAT SINK FOR TRANSISTOR
30.	02-31912-00	POWER KNOB SPRING
31.	02-31923-00	FLYBACK MTG. BRACKET
32.	02-31926-00	HEAT SINK - FOR PINCUSHION
33.	02-31927-00	VERTICAL HEAT SINK
34.	02-51978-00	BATTERY CONNECTOR (-)
35.	02-51979-00	BATTERY CONNECTOR (+)
36.	02-51980-00	BATTERY CONNECTOR (+) & (-)
37.	02-51986-00	HEAT SINK 'A'
38.	02-51995-00	AUDIO HEAT SINK
39.	02-51996-04	SPEAKER GRILL - W/BRIGHT DARK GRAY SPRAY
40.	02-51999-00	PIF/ SIF SHIELDING CAN
41.	02-70617-00	WIRE LUG
42.	02-91790-03	HEAT SINK FOR REGULATION
43.	02-91792-02	HEAT SINK FOR HORIZONTAL
44.	04-25092-10	T 2.6 X 10 P/H (+) SELF TAPPING SCREW 'BLACK'
45.	04-33790-08	T 3 X 8 B/H (+) SELF TAPPING SCREW 'HARDENED'
46.	04-33790-10	T 3 X 10 B/H (+) SELF TAPPING SCREW 'HARDENED'

Item	Part Number	Description	
47.	04-33790-12	T 3 X 12 B/H (+) SELF TAPPING SCREW 'HARDENED'	
48.	04-33790-14	T 3 X 14 B/H (+) SELF TAPPING SCREW 'HARDENED'	
49.	04-35090-10	T 3 X 10 P/H (+) SELF TAPPING SCREW	
50.	04-39050-06	M 3 X 6 P/H (+) MACHINE SCREW	
51.	04-39750-08	M 3 X 8 B/H (+) MACHINE SCREW	
52.	04-39750-10	M 3 X 10 B/H (+) MACHINE SCREW	
53.	04-39750-12	M 3 X 12 B/H (+) MACHINE SCREW	
54.	04-43090-20	T 4 X 20 P/H (+) SELF TAPPING SCREW	
55.	04-43790-12	T 4 X 12 B/H (+) SELF TAPPING SCREW "HARDENED"	
56.	04-43790-16	T 4 X 16 B/H (+) SELF TAPPING SCREW 'HARDENED'	
57.	04-43790-20	T 4 X 20 B/H (+) SELF TAPPING SCREW 'HARDENED'	
58.	04-43792-12	T 4 X 12 B/H SELF TAPPING SCREW (BLACK) (HARDENED)	
59.	04-43792-16	T 4 X 16 B/H (+) SELF TAPPING SCREW (BLACK) (HARDENED)	
60.	04-43792-25	T 4 X 25 B/H SELF TAPPING SCREW (BLACK) (HARDENED)	
61.	04-63790-16	T 3.5 X 16 B/H (+) SELF TAPPING SCREW 'HARDENED'	
62.	04-65690-10	T 3.5 X 10 W/H (+) SELF TAPPING SCREW	
63.	05-63050-00	M3 NUT	
64.	05-66100-01	M6 NUT (HARDENED)	
65.	06-00302-00	M3 SPRING WASHER	
66.	06-00401-02	PLAIN WASHER (105H-1)	
67.	07-40167-00	GROUNDING WIRE SPRING ID=7	
68.	08-30666-00	NAME PLATE -	
69.	10-20955-01	CAUTION LABEL - (W/RIGHT DIRECTION ARROW)	
70.	10-52329-06	INSTRUCTION BOOKLET FOR	
71.	10-52330-05	SERIAL NO. LABEL FOR CE-7151-1 'CONTEC' (2 PCS./KIT)	
72.	10-52331-00	CIRCUIT DIAGRAM FOR CE-6451/ CE-7151/ CE-7151-1/ CE-7451	
73.	13-30603-00	FIBRE WASHER (UL) 3.5X14.2X0.8	
74.	13-30895-01	FELT (SIZE : 34CM X 1.2CM) (CUT OFF FROM P/N# 13-30895-00)	
75.	13-30897-15	FUNCTION INLAY - BLACK W/SILKSCREEN (W/O WOOFER AND SYSTEM CONTROL)	
76.	13-30898-24	JACK PLATE INLAY - BLACK W/WHITE SILKSCREEN (21 PINS)	
77.	13-50071-00	FIBRE WASHER	
78.	13-50923-28	CONTROL INLAY - 'CONTEC' W/SILKSCREEN (44 KEYS) W/4 PAGES	TELETEXT W/STE
79.	13-80807-157	BACK PLATE - 'CONTEC' CE-7151-1 ENGLISH AC240V 50HZ 180W	
80.	14-30787-72	CARTON BOX - 28"	
81.	14-30788-01	POLYFOAM END CAPS - TOP & BOTTOM (4 PCS./KIT)	
82.	14-30804-00	SILICA GEL (20GM)	

83.	14-40843-00	UM-3 BATTERY	
84.	14-50816-00	POLY BAG FOR 28"/29" TV UNIT 0.05 X (31+16)" X 45" (W/4 HOLES D=8MM)	
85.	14-60964-00	CARTON CARD (11 1/2" X 11 1/2")	
86.	14-70708-00	POLY BAG FOR AC LINE CORD 0.05 X 4-1/2" X 7-1/2"	
87.	14-70709-00	POLY BAG 0.05 X 9" X 13"	
88.	14-70730-00	SOFT PAPER SHEET 112CM X 32CM	
89.	14-90744-01	POLY BAG FOR HAND SET 0.035 X 3-1/2" X 9-1/2"	
90.	20-40303-00	EYELET 3 X 3	
91.	20-60203-00	EYELET 2 X 3	
92.	21-10066-00	UL/CSA PVC TUBE I.D.=6.5MM AWG#2 300V 105C	
93.	21-10068-00	KNITTED WIRE	
94.	50-30702-07	TRANSISTOR 2SA562TM-0	
95.	50-30715-07	TRANSISTOR 2SA1015-Y	
96.	50-30715-08	TRANSISTOR 2SA1015GR	
97.	50-40308-01	TRANSISTOR 2SC1685Q	
98.	50-40527-07	TRANSISTOR 2SD612E	
99.	50-40708-07	TRANSISTOR 2SC1815-Y	
100.	50-40708-08	TRANSISTOR 2SC1815-GR	
101.	50-40725-06	TRANSISTOR 2SC2717	
102.	50-40755-07	TRANSISTOR 2SD880-Y	
103.	50-40756-05	TRANSISTOR 2SC1569	
104.	50-40763-02	TRANSISTOR 2SC2878B	
105.	50-41304-01	TRANSISTOR 2SC4706 WITH MICA SHEET	
106.	50-AA002520-01	TRANSISTOR BU2520AF	
107.	50-AC004544-01	TRANSISTOR 2SC4544	
108.	51-02023-01	ZENER DIODE 5.1V HZ5C2	
109.	51-02024-01	ZENER DIODE 6.2V HZ6C2	
110.	51-02026-01	ZENER DIODE 7.5V HZ7C2	
111.	51-02032-05	BZX79-C12 (12V, 0.5W) VOLTAGE REGULATOR DIODE	
112.	51-03001-48	RECTIFIER DIODE FR155 (TAPE FORM)	
113.	51-03005-48	DIODE FR104 (TAPED REELED PACKAGE)	
114.	51-03018-41	DIODE IS 2775	
115.	51-03028-35	RECTIFIER DIODE RMIZ (FOR HIGH SPEED)	
116.	51-03046-05	RECTIFIER DIODE BYV96D	
117.	51-03048-05	HIGH-SPEED SILICON DIODE BAW62	
118.	51-03051-05	RECTIFIER DIODE BYD33D (FOR FAST SPEED)	
119.	51-03052-05	RECTIFIER DIODE BYW54	
120.	51-03053-05	RECTIFIER DIODE BYW95C (FOR FAST SPEED)	
121.	51-03054-05	RECTIFIER DIODE BYV26D (FOR HIGH SPEED)	
122.	51-03057-05	RECTIFIER DIODE BY228	
123.	51-08001-23	DIODE 1N4148	

Item	Part Number	Description
124.	52-AI0220CBF-00	0.22 OHM 2W +-5% METAL OXIDE RESISTOR (RSS-SMF TYPE)
125.	52-AI1000CAC-01	1 OHM 1/4W +-5% CARBON FILM RESISTOR RD25-TP52 TYPE
126.	52-AI1000CBF-00	1 OHM 2W +-5% METAL OXIDE FILM RESISTOR (RSS-SMF TYPE)
127.	52-AI1001CAC-01	10 OHM 1/4W +-5% CARBON FILM RESISTOR RD25-TP52 TYPE
128.	52-AI1001CAD-01	10 OHM 1/2W +-5% CARBON FILM RESISTOR (RD-050-TP)
129.	52-AI1001CBG-00	10 OHM 3W +-5% METAL OXIDE FILM RESISTOR (RSS-SMF TYPE)
130.	52-AI1002CAC-01	100 OHM 1/4W +-5% CARBON FILM RESISTOR RD25-TP52 TYPE
131.	52-AI1002CAS-00	100 OHM 1/6W +-5% CARBON FILM RESISTOR
132.	52-AI1003CAC-01	1 KOHM 1/4W +-5% CARBON FILM RESISTOR RD25-TP52 TYPE
133.	52-AI1003CAD-01	1 KOHM 1/2W +-5% CARBON FILM RESISTOR (RD-050-TP)
134.	52-AI1003CAS-00	1 KOHM 1/6W +-5% CARBON FILM RESISTOR
135.	52-AI1004CAC-01	10 KOHM 1/4W +-5% CARBON FILM RESISTOR RD25-TP52 TYPE
136.	52-AI1004CAD-01	10 KOHM 1/2W +-5% CARBON FILM RESISTOR (RD-050-TP)
137.	52-AI1004CAS-00	10 KOHM 1/6W +-5% CARBON FILM RESISTOR
138.	52-AI1005CAC-01	100 KOHM 1/4W +-5% CARBON FILM RESISTOR RD25-TP52 TYPE
139.	52-AI1005CAS-00	100 KOHM 1/6W +-5% CARBON FILM RESISTOR
140.	52-AI1006CAC-01	1 MOHM 1/4W +-5% CARBON FILM RESISTOR RD25-TP52 TYPE
141.	52-AI1006CAS-00	1 MOHM 1/6W +-5% CARBON FILM RESISTOR
142.	52-AI1102CAC-01	110 OHM 1/4W +-5% CARBON FILM RESISTOR RD25-TP52 TYPE
143.	52-AI1201CAS-00	12 OHM 1/6W +-5% CARBON FILM RESISTOR
144.	52-AI1202CAS-00	120 OHM 1/6W +-5% CARBON FILM RESISTOR
145.	52-AI1203CAC-01	1.2 KOHM 1/4W +-5% CARBON FILM RESISTOR RD25-TP52 TYPE
146.	52-AI1203CAS-00	1.2 KOHM 1/6W +-5% CARBON FILM RESISTOR
147.	52-AI1204CAC-01	12 KOHM 1/4W +-5% CARBON FILM RESISTOR RD25-TP52 TYPE
148.	52-AI1205CAC-01	120 KOHM 1/4W +-5% CARBON FILM RESISTOR RD25-TP52 TYPE
149.	52-AI1303CAC-01	1.3 KOHM 1/4W +-5% CARBON FILM RESISTOR RD25-TP52 TYPE
150.	52-AI1502CAC-01	150 OHM 1/4W +-5% CARBON FILM RESISTOR RD25-TP52 TYPE
151.	52-AI1502CAD-01	150 OHM 1/2W +-5% CARBON FILM RESISTOR
152.	52-AI1503CAC-01	1.5 KOHM 1/4W +-5% CARBON FILM RESISTOR RD25-TP52 TYPE
153.	52-AI1504CAC-01	15 KOHM 1/4W +-5% CARBON FILM RESISTOR RD25-TP52 TYPE
154.	52-AI1504CBF-00	15 KOHM 2W +-5% METAL OXIDE RESISTOR (RSS-SMF TYPE)
155.	52-AI1801CBF-00	18 OHM 2W +-5% METAL OXIDE RESISTOR (RSS-SMF TYPE)
156.	52-AI1802CAC-01	180 OHM 1/4W +-5% CARBON FILM RESISTOR RD25-TP52 TYPE
157.	52-AI1803CAC-01	1.8 KOHM 1/4W +-5% CARBON FILM RESISTOR RD25-TP52 TYPE
158.	52-AI1803CAS-00	1.8 KOHM 1/6W +-5% CARBON FILM RESISTOR
159.	52-AI1805CAC-01	180 KOHM 1/4W +-5% CARBON FILM RESISTOR RD25-TP52 TYPE
160.	52-AI2000CAC-01	2 OHM 1/4W +-5% CARBON FILM RESISTOR RD25-TP52 TYPE
161.	52-AI2002CAD-01	200 OHM 1/2W +-5% CARBON FILM RESISTOR (RD-050-TP)
162.	52-AI2003CAC-01	2 KOHM 1/4W +-5% CARBON FILM RESISTOR RD25-TP52 TYPE
163.	52-AI2202CAC-01	220 OHM 1/4W +-5% CARBON FILM RESISTOR RD25-TP52 TYPE
164.	52-AI2203CAC-01	2.2 KOHM 1/4W +-5% CARBON FILM RESISTOR RD25-TP52 TYPE
165.	52-AI2204CAC-01	22 KOHM 1/4W +-5% CARBON FILM RESISTOR RD25-TP52 TYPE
166.	52-AI2206CAC-01	2.2 MOHM 1/4W +-5% CARBON FILM RESISTOR RD25-TP52 TYPE
167.	52-AI2403CAC-01	2.4 KOHM 1/4W +-5% CARBON FILM RESISTOR RD25-TP52 TYPE
168.	52-AI2701CBF-00	27 OHM 2W +-5% METAL OXIDE FIXED RESISTOR (RSS2W SMF27)
169.	52-AI2703CAC-01	2.7 KOHM 1/4W +-5% CARBON FILM RESISTOR RD25-TP52 TYPE
170.	52-AI2704CAC-01	27 KOHM 1/4W +-5% CARBON FILM RESISTOR RD25-TP52 TYPE
171.	52-AI3002CAC-01	300 OHM 1/4W +-5% CARBON FILM RESISTOR RD25-TP52 TYPE
172.	52-AI3003CAC-01	3 KOHM 1/4W +-5% CARBON FILM RESISTOR RD25-TP52 TYPE
173.	52-AI3301CAC-01	33 OHM 1/4W +-5% CARBON FILM RESISTOR RD25-TP52 TYPE

Item	Part Number	Description
174.	52-AI3302CAS-00	330 OHM 1/6W +-5% CARBON FILM RESISTOR
175.	52-AI3303CAC-01	3.3 KOHM 1/4W +-5% CARBON FILM RESISTOR RD25-TP52 TYPE
176.	52-AI3303CAS-00	3.3 KOHM 1/6W +-5% CARBON FILM RESISTOR
177.	52-AI3304CAC-01	33 KOHM 1/4W +-5% CARBON FILM RESISTOR RD25-TP52 TYPE
178.	52-AI3305CAC-01	330 KOHM 1/4W +-5% CARBON FILM RESISTOR RD25-TP52 TYPE
179.	52-AI3306CAC-01	3.3 MOHM 1/4W +-5% CARBON FILM RESISTOR RD25-TP52 TYPE
180.	52-AI3602CAS-00	360 OHM 1/6W +-5% CARBON FILM RESISTOR
181.	52-AI3902CAC-01	390 OHM 1/4W +-5% CARBON FILM RESISTOR RD25-TP52 TYPE
182.	52-AI3903CAC-01	3.9 KOHM 1/4W +-5% CARBON FILM RESISTOR RD25-TP52 TYPE
183.	52-AI3904CAC-01	39 KOHM 1/4W +-5% CARBON FILM RESISTOR RD25-TP52 TYPE
184.	52-AI3904CBG-00	39 KOHM 3W +-5% METAL OXIDE FILM RESISTOR (RSS-SMF TYPE)
185.	52-AI4701CAC-01	47 OHM 1/4W +-5% CARBON FILM RESISTOR RD25-TP52 TYPE
186.	52-AI4701CAD-01	47 OHM 1/2W +-5% CARBON FILM RESISTOR
187.	52-AI4702CAC-01	470 OHM 1/4W +-5% CARBON FILM RESISTOR RD25-TP52 TYPE
188.	52-AI4702CAS-00	470 OHM 1/6W +-5% CARBON FILM RESISTOR
189.	52-AI4703CAC-01	4.7 KOHM 1/4W +-5% CARBON FILM RESISTOR RD25-TP52 TYPE
190.	52-AI4703CAD-01	4.7 KOHM 1/2W +-5% CARBON FILM RESISTOR
191.	52-AI4704CAC-01	47 KOHM 1/4W +-5% CARBON FILM RESISTOR RD25-TP52 TYPE
192.	52-AI4706CAC-01	4.7 MOHM 1/4W +-5% CARBO FILM RESISTOR RD25-TP52 TYPE
193.	52-AI5102CAD-01	510 OHM 1/2W +-5% CARBON FILM RESISTOR
194.	52-AI5103CAC-01	5.1 KOHM 1/4W +-5% CARBON FILM RESISTOR RD25-TP52 TYPE
195.	52-AI5601CAC-01	56 OHM 1/4W +-5% CARBON FILM RESISTOR RD25-TP52 TYPE
196.	52-AI5601CAS-00	56 OHM 1/6W +-5% CARBON FILM RESISTOR
197.	52-AI5602CAC-01	560 OHM 1/4W +-5% CARBON FILM RESISTOR RD25-TP52 TYPE
198.	52-AI5603CAC-01	5.6 KOHM 1/4W +-5% CARBON FILM RESISTOR RD25-TP52 TYPE
199.	52-AI5603CAS-00	5.6 KOHM 1/6W +-5% CARBON FILM RESISTOR
200.	52-AI5605CAC-01	560 KOHM 1/4W +-5% CARBON FILM RESISTOR RD25-TP52 TYPE
201.	52-AI6203CAC-01	6.2 KOHM 1/4W +-5% CARBON FILM RESISTOR RD25-TP52 TYPE
202.	52-AI6802CAC-01	680 OHM 1/4W +-5% CARBON FILM RESISTOR RD25-TP52 TYPE
203.	52-AI6803CAC-01	6.8 KOHM 1/4W +-5% CARBON FILM RESISTOR RD25-TP52 TYPE
204.	52-AI6803CBF-00	6.8 KOHM 2W +-5% METAL OXIDE FIXED RESISTOR (RSS2S SMF6.8KOHMJ)
205.	52-AI6804CAC-01	68 KOHM 1/4W +-5% CARBON FILM RESISTOR RD25-TP52 TYPE
206.	52-AI7501CAC-01	75 OHM 1/4W +-5% CARBON FILM RESISTOR RD25-TP52 TYPE
207.	52-AI7503CAC-01	7.5 KOHM 1/4W +-5% CARBON FILM RESISTOR RD25-TP52 TYPE
208.	52-AI8201CAC-01	82 OHM 1/4W +-5% CARBON FILM RESISTOR RD25-TP52 TYPE
209.	52-AI8202CAC-01	820 OHM 1/4W +-5% CARBON FILM RESISTOR RD25-TP52 TYPE
210.	52-AI8202CAS-00	820 OHM 1/6W +-5% CARBON FILM RESISTOR
211.	52-AI8204CAC-01	82 KOHM 1/4W +-5% CARBON FILM RESISTOR RD25-TP52 TYPE
212.	52-AQ1005CND-02	100 KOHM 1/2W +-5% METAL FILM RESISTOR (RJ16A TYPE)
213.	52-AQ4704CND-01	47 KOHM 1/2W +-5% METAL FILM RESISTOR (BROWN) (RJ TYPE)
214.	52-B0390CBF-01	0.39 OHM 2W +-5% METAL OXIDE FILM RESISTOR (RSS TYPE, MG FORM)
215.	52-B0430CDF-00	0.43 OHM 2W +-5% FUSIBLE METAL FILM RESISTOR (FRN-MG TYPE)
216.	52-B0910CBE-00	0.91 OHM 1W +-5% METAL OXIDE RESISTOR (RSN-1B TYPE)
217.	52-B1000CBD-00	1 OHM 1/2W +-5% METAL OXIDE RESISTOR (RSN TYPE)
218.	52-B1000CCK-00	1 OHM 15W +-5% WIRE WOUND RESISTOR (CEMENT / SQZ TYPE)
219.	52-B1003CBE-00	1 KOHM 1W +-5% METAL OXIDE RESISTOR (RSN-1B TYPE)
220.	52-B1504CDD-00	15 KOHM 1/2W +-5% FUSIBLE METAL FILM RESISTOR (FRN TYPE)
221.	52-B2402CBF-00	240 OHM 2W +-5% METAL OXIDE RESISTOR (RSN2B TYPE)
222.	52-B3302CHJ-00	330 OHM 10W +-5% WIRE WOUND RESISTOR (SQZ TYPE, CEMENT TYPE)
223.	52-B4300CBF-00	4.3 OHM 2W +-5% METAL OXIDE RESISTOR (RSN-MG TYPE)

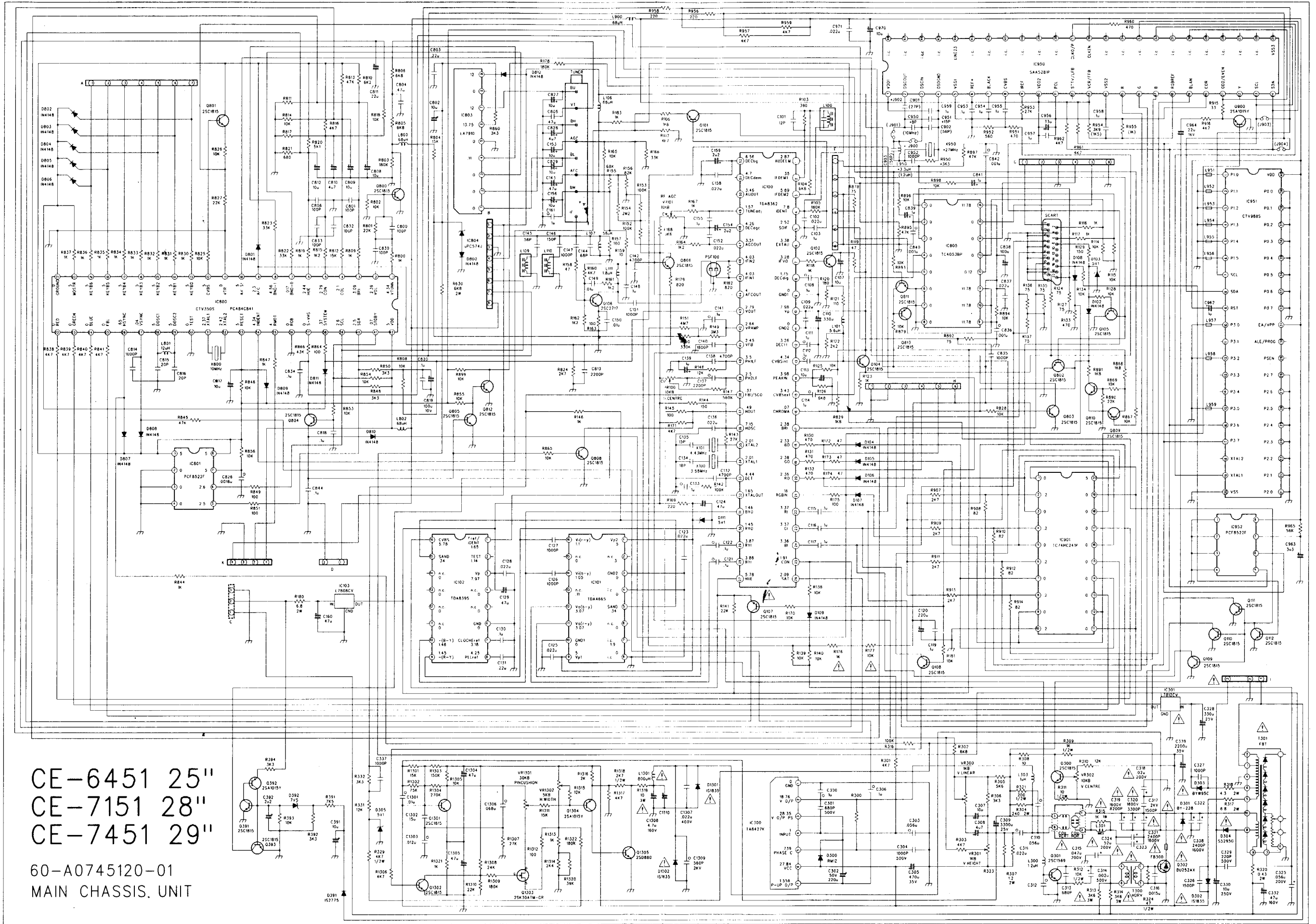
Item	Part Number	Description
224.	52-B6800CDF-00	6.8 OHM +-5% 2W FUSIBLE METAL FILM RESISTOR (FRN-MG TYPE)
225.	52-G3603CBG-01	3.6 KOHM 3W +-5% METAL OXIDE RESISTOR (RSM3FB TYPE)
226.	52-I1007EFD-00	10 MOHM 1/2W +-20% CARBON COMPOSITION RESISTOR (RC1/2GF)
227.	52-I2703CFD-00	2.7 KOHM 1/2W +-5% CARBON COMPOSITION RESISTOR (RC1/2GF)
228.	52-I5606DFD-00	5.6 MOHM 1/2W +-10% CARBON COMPOSITION RESISTOR (RC1/2GF)
229.	52-V1201IIX-00	PTC THERMISTOR 12 OHM +30 -10% (MZ73D) (3 PIN)
230.	53-10320-25	1 KOHM B +-30% VARIABLE RESISTOR (RH0615C13J)
231.	53-10420-40	10 KOHM B +-30% SEMI-FIXED RESISTOR (EVN-D8A A03 B14)
232.	53-20220-12	200 OHM B VARIABLE RESISTOR (W208-1A-200 OHM)
233.	53-20320-10	2 KOHM B +-20% VARIABLE RESISTOR (W208-1AN-2K)
234.	53-30320-01	3 KOHM B SEMI-FIXED RESISTOR
235.	53-50320-22	5 KOHM B +-30% SEMI-FIXED RESISTOR (EVN-D8AA03B53)
236.	54-41800-75	18 PF 50V +-5% CERAMIC CAP
237.	54-42000-75	20 PF 50V +-5% CERAMIC CAP
238.	54-42200-75	22 PF 50V +-5% CERAMIC CAP
239.	54-43302-19	0.0033 UF 1600V +-5% POLYPROPYLENE FILM CAP (DKR TYPE)
240.	54-46800-75	68 PF 50V +-5% CERAMIC CAP
241.	54-51002-75	0.001 UF 50V +-10% CERAMIC CAP
242.	54-51802-76	0.0018 UF 50V +-10% MYLAR CAP
243.	54-52202-75	0.0022 UF 50V +-10% CERAMIC CAP
244.	54-56801-75	680 PF 50V +-10% CERAMIC CAP
245.	54-65601-25	560 PF 2KV +-20% CERAMIC CAP
246.	54-71003-75	0.01 UF 50V +80% -20% CERAMIC CAP.
247.	54-72203-75	0.022 UF 50V +80% -20% CERAMIC CAP
248.	54-A1006EAJ-01	10 UF 250V +-20% ELECTROLYTIC CAP. (UVX2E100MPA)
249.	54-A1007EAB-00	100 UF 10V +-20% ELECTROLYTIC CAP
250.	54-A1008EAD-01	1000 UF 25V +-20% ELECTROLYTIC CAPACITOR (UVX1E102MHA)
251.	54-A1008EAE-02	1000 UF 35V +-20% ELECTROLYTIC CAPACITOR (UVX1V102MHA)
252.	54-A2205EAQ-00	2.2 UF 315V +-20% ELECTROLYTIC CAPACITOR (UVX2F2R2MPA)
253.	54-A2206EGC-00	22 UF 16V +-20% ELECTROLYTIC CAP "SP NICHICON"
254.	54-A2207EAF-00	220 UF 50V +-20% ELECTROLYTIC CAPACITOR (UVX1H221MPA)
255.	54-A2208EAC-00	2200 UF 16V +-20% ELECTROLYTIC CAPACITOR (UVX1C222MHA)
256.	54-A2208EAD-00	2200 UF 25V +-20% ELECTROLYTIC CAPACITOR (UVX1E222MHA)
257.	54-A2208EAE-01	2200 UF 35V +-20% ELECTROLYTIC CAP. (UVS1V222MHA)
258.	54-A3307EAI-00	330 UF 200V +-20% ELECTROLYTIC CAP. (LLK2D331MHA)
259.	54-A4705EAH-00	4.7 UF 160V +-20% ELECTROLYTIC CAP. (UVX2C4R7MPA)
260.	54-A4706EAD-01	47 UF 25V +-20% ELECTROLYTIC CAPACITOR 105C (UPR1E470MDH)
261.	54-A4706EAH-00	47 UF 160V +-20% ELECTROLYTIC CAP (UVX2C470MHA)
262.	54-A5603CCG-00	0.056 UF 100V +-5% POLYESTER FILM CAP. (TDY-2A563J) LONG LEAD TYPE
263.	54-A5607EAK-00	560 UF 400V +-20% ELECTROLYTIC CAP. (LLK2G561MHSC)
264.	54-AA0700ABF-00	7 PF 50V +-0.25 PF CERAMIC CAPACITOR
265.	54-AA1001CBF-00	100 PF 50V +-5% CERAMIC CAP. (C101J30COGF53L5)
266.	54-AA2700CBF-00	27 PF/50V +-5% CERAMIC CAP. (C270J22COGF43L2)
267.	54-AB1005DID-00	1 UF 25V +-10% TANTALUM CAPACITOR (CA42 TYPE)
268.	54-AC3001CBF-00	300 PF 50V +-5% CERAMIC CAPACITOR (CC12PH50V301J1B)
269.	54-AF1006EAF-00	10 UF 50V +-20% ALUMINUM ELECTROLYTIC CAPACITOR TYPE : CD11G, D.F.=0.08

Item	Part Number	Description
270.	54-AF2207EAC-00	220 UF 16V +-20% ALUMINUM ELECTROLYTIC CAPACITOR TYPE : CD11G, D.F.=0.0
271.	54-AF3306EAC-00	33 UF 16V +-20% ALUMINUM ELECTROLYTIC CAPACITOR TYPE : CD11G, D.F.=0.08
272.	54-AF3307EAC-00	330 UF 16V +-20% ELECTROLYTIC CAPACITOR (CD110 TYPE)
273.	54-AF3307EAD-00	330 UF 25V +-20% ALUMINUM ELECTROLYTIC CAPACITOR TYPE : CD11G, D.F.=0.0
274.	54-AF4705EAD-00	4.7 UF 25V +-20% ALUMINUM ELECTROLYTIC TYPE : CE11G, D.F.=0.08
275.	54-AF4707EAE-00	470 UF 35V +-20% ALUMINUM ELECTROLYTIC CAPACITOR TYPE : CD11G, D.F.=0.0
276.	54-AH1004DFV-00	0.1 UF 63V +-10% METALLIZED POLYESTER FILM CAPACITOR (CL21X TYPE)
277.	54-AZ2003CEI-00	0.02 UF 200V +-5% POLYPROPYLENE FILM CAPACITOR SB=10MM (PLU203J200V)
278.	54-AZ2203CEG-00	0.022 UF 100V +-5% POLYPROPYLENE FILM CAPACITOR SB=5MM (PLU203J100V)
279.	54-AZ5204CEI-00	0.52 UF 200V +-5% POLYPROPYLENE FILM CAPACITOR (PLU524J200V) (L.S.=25MM
280.	54-BA1002EPK-00	1000 PF AC400V +-20% AC CERAMIC CAPACITOR (CT81-AC400V-E102-M-B)
281.	54-BA4701DPK-00	470 PF AC400V +-10% AC CERAMIC CAPACITOR (T4KV) (CT81-AC400V-B471-K-B)
282.	54-BD1004DFJ-00	0.1 UF 275VAC +-10% AC METALLIZED POLYESTER CAPACITOR (L04-MKT SERIES)
283.	54-BE2402CEO-00	0.0024 UF 1600V +-5% METALLIZED POLYPROPYLENE FILM CAPACITOR (PPS TYPE)
284.	54-BE4703DMI-00	0.047 UF 200V +-10% POLYPROPYLENE FILM CAPACITOR (PP TYPE)
285.	54-BE5603DMI-00	0.056 UF 200V +-10% POLYPROPYLENE FILM CAPACITOR (PP TYPE)
286.	54-BE8202CEO-00	0.0082 UF 1600V +-5% METALLIZED POLYPROPYLENE FILM CAPACITOR (PPS TYPE)
287.	54-E1003DCF-00	0.01 UF 50V +-10% POLYESTER FILM CAPACITOR
288.	54-E1004DCF-00	0.1 UF 50V +-10% POLYESTER FILM CAPACITOR
289.	54-E1004HBF-00	0.1 UF 50V +80% -20% CERAMIC CAP. (U104Z29Y5VF62J5H)
290.	54-E1500CBF-00	15 PF 50V +-5% CERAMIC CAP. (D150J20C0GF52L2H)
291.	54-E1502DBP-00	1500 PF 2KV +-10% CERAMIC CAP (D152K49Y5PP62L9A)
292.	54-E1502EBL-00	1500 PF 500V +-20% CERAMIC CAP (D152M22Z5UL62L3H)
293.	54-E1503DCF-00	0.015 UF 50V +-10% POLYESTER FILM CAP.
294.	54-E1801DBP-00	180 PF 2 KV +-10% CERAMIC CAP (D181K31Z5PR62L6)
295.	54-E2201DBL-00	220 PF 500V +-10% CERAMIC CAP (D221K25Z5PL52L5H)
296.	54-E2202DCF-00	0.0022 UF 50V +-10% POLYESTER FILM CAPACITOR
297.	54-E2202EBL-00	0.0022 UF 500V +-20% CERAMIC CAP (D222M25Z5UL62L5T)
298.	54-E2700CKF-00	27 PF 50V +-5% CERAMIC CAP. (TEMPERATURE COMPENSATING) (D270J20C0GF52L5/
299.	54-E3301CBF-00	330 PF 50V +-5% CERAMIC CAP (D331J31S2LF52L5)
300.	54-E3301DBP-00	330 PF 2KV +-10% CERAMIC CAP (D331K25Z5PP62L5R)
301.	54-E3901DKL-00	390 PF 500V +-10% CERAMIC CAP (D391K22Z5FL62L3H)
302.	54-E4702EBL-00	0.0047 UF 500V +-20% CERAMIC CAP (D472M31Z5UL62L5A)
303.	54-E4702EBN-00	0.0047 UF 1KV +-20% CERAMIC CAP (D472M39Z5UN62L6A)
304.	54-E5600CBF-00	56 PF 50V +-5% CERAMIC CAP. (D560J25C0GF52L5I)
305.	54-E6801DBL-00	680 PF 500V +-10% CERAMIC CAP (D681K25Z5PL52L5H)
306.	54-H1002DBL-00	1000 PF 500V +-10% CERAMIC CAP. (DD07B102K500V) OR (DD07-63B102K500)
307.	54-H1200CBF-00	12 PF 50V +-5% CERAMIC CAP (DD104SL120J)
308.	54-I1502CLF-00	0.0015 UF 50V +-5% POLYESTER FILM CAP (DER TYPE)
309.	54-K6800CKF-00	68 PF 50V +-5% TEMPERATURE COMPENSATING CERAMIC CAP (NPO) (ECCF1H680JC)
310.	54-O1005EAF-00	1 UF 50V +-20% ELECTROLYTIC CAP. (SMR SERIES)
311.	54-O1006EAC-00	10 UF 16V +-20% ELECTROLYTIC CAP. (SMR SERIES)
312.	54-O1007EAC-00	100 UF 16V +-20% ELECTROLYTIC CAP. (SMR SERIES)
313.	54-O1007EAD-00	100 UF 25V +-20% ELECTROLYTIC CAP. (SMR SERIES)
314.	54-O2205EAF-00	2.2 UF 50V +-20% ELECTROLYTIC CAP. (SMR SERIES)
315.	54-O2206EAC-00	22 UF 16V +-20% ELECTROLYTIC CAP. (SMR SERIES)
316.	54-O2206EAF-00	22 UF 50V +-20% ELECTROLYTIC CAPACITOR (SMR TYPE)
317.	54-O4704EAF-00	0.47 UF 50V +-20% ELECTROLYTIC CAP. (SMR SERIES)
318.	54-O4706EAB-00	47 UF 10V +-20% ELECTROLYTIC CAPACITOR (SMR TYPE)
319.	54-O4706EAD-00	47 UF 25V +-20% ELECTROLYTIC CAP. (SMR SERIES)

Item	Part Number	Description
320.	54-Q4707EAD-00	470 UF 25V +-20% ELECTROLYTIC CAP. (SMR SERIES)
321.	54-Q1802CEX-00	1800 PF 630V +-5% POLYPROPYLENE FILM CAPACITOR
322.	54-Q2203DMK-00	0.022 UF 400V DC +-10% METALLIZED POLYPROPYLENE FILM CAP PM-CON 7A2G223K
323.	54-Q2204CFV-00	0.22 UF 63V +-5% METALLIZED POLYESTER CAPACITOR (MS-CON TYPE)
324.	54-Q4704CFV-00	0.47 UF 63V +-5% METALLIZED POLYESTER CAPACITOR (MS-CON TYPE)
325.	54-Q6801CEG-00	680 PF 100V +-5% POLYPROPYLENE FILM CAPACITOR (PL-CON TYPE) (3L2A681J-T2
326.	54-Q8201CEG-00	820 PF 100V +-5% POLYPROPYLENE FILM CAPACITOR (PL-CON TYPE)
327.	54-U1004DFV-01	0.1 UF 63V +-10% METALLIZED FILM CAP. (2222 366 71104)
328.	54-U2204DFV-00	0.22 UF 63V +-10% METALLIZED FILM CAP. (2222 370 15224)
329.	54-U3303DFG-00	33000 PF 100V +-10% METALLIZED POLYESTER FILM CAPACITOR (2222370 21333)
330.	54-U4704DFV-00	0.47 UF 63V +-10% METALLIZED FILM CAPACITOR (2222 370 15474)
331.	54-U5602DFJ-00	5600 PF 250V +-10% METALLIZED POLYESTER FILM CAPACITOR (2222370 41562)
332.	56-23201-01	200 MM BROWN (AWG 24) 1007 STRAND JUMPER WIRE
333.	56-23400-00	40 MM BLACK (AWG 24) 1007 STRAND JUMPER WIRE
334.	56-32301-91	300 MM BROWN (AWG 22) STRAND JUMPER WIRE (DOUBLE INSULATION)
335.	56-32301-96	300 MM BLUE (AWS 22) STRAND JUMPER WIRE (DOUBLE INSULATION)
336.	56-33101-00	100 MM BLACK (AWG 24) 1015 STRAND JUMPER WIRE
337.	56-33401-00	400 MM BLACK (AWG 24) 1015 STRAND JUMPER WIRE
338.	57-10252-19	AC LINE CORD - BLACK 2.5M W/PLUG (DOUBLE INSULATION) SAA APPROVED
339.	58-27193-01	DRIVE TRANSFORMER HB19F152
340.	58-67155-01	'JEWEL' 28" FLYBACK TRANSFORMER (JF0101-0716)
341.	58-73763-02	LINE FILTER
342.	58-97451-01	SWITCHING TRANSFORMER KB49C279A
343.	59-02401-08	1 UH CHOKE COIL
344.	59-02728-01	DEGAUSSING COIL FOR 28" CTV (XC-HR71A) (DOUBLE INSTUALTION)
345.	59-03401-01	INDUCTOR COIL 100 UH +-15% (HIGH CURRENT)
346.	59-05804-01	5 UH +-10% INDUCTOR COIL
347.	59-06401-03	12 UH +-10% COIL EC24-120K
348.	59-06401-07	1.8 UH +-10% PEAKING COIL (EC24-1R8K)
349.	59-06411-02	1 UH +-10% PEAKING COIL (AL0305 TYPE)
350.	59-06411-03	1.2 UH +-10% PEAKING COIL (AL0305 TYPE)
351.	59-06505-05	SOUND DEMODULATOR COIL (7 MM) KS1727N
352.	59-08001-03	12 UH +-10% PEAKING COIL - HORIZONTAL TYPE (TYPE NO. AL0305-120K)
353.	59-08001-05	68 UH +-10% PEAKING COIL - HORIZONTAL TYPE (TYPE NO. AL0407-680K)
354.	59-08001-25	5.6 UH +-5% PEAKING COIL (AL0305-5R6J) IN TAPED FORM
355.	59-08001-28	0.56 UH +-10% PEAKING COIL (AL0305-R56K) IN TAPED FORM
356.	59-08002-09	150 UH +-10% PEAKING COIL - VERTICAL TYPE (TYPE NO. EL0606-151K)
357.	59-08701-01	COIL (7 MM) KS1685NC
358.	59-08701-02	COIL (7 MM) KS1705N
359.	59-08701-03	COIL (7 MM) KS1708N
360.	59-52902-01	CHOKE COIL 800UH +-5% 0.5 OHM MAX. LCK-800
361.	59-53103-01	LINEARITY COIL (LS-14F-05)

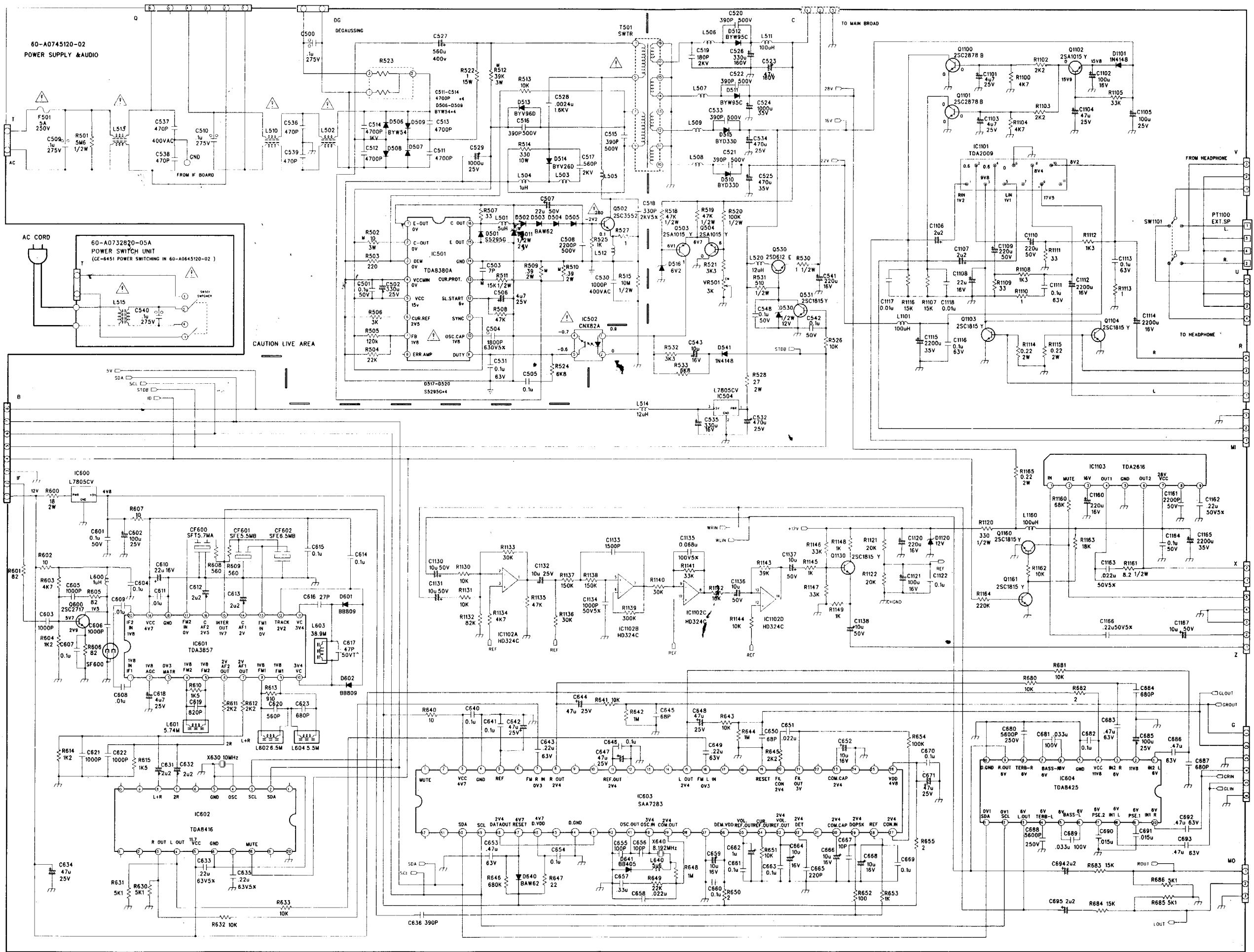
Item	Part Number	Description
362.	60-A0732820-12A	POWER SWITCH PC BOARD
363.	60-A0745120-01A	MAIN PC BOARD
364.	60-A0745120-02	POWER SUPPLY PCB
365.	60-A0745120-04	KEY PCB
366.	60-T0544920-07A	TRANSMITTER BOARD
367.	60-T0715120-02	CRT BOARD
368.	60-T0745120-09	4 PAGES PC BOARD
369.	60-T0746820-05	DIELECTRIC PC BOARD
370.	61-00094-01	P.C.B. TYPE CONNECTOR V-TYPE PINS ASS'Y 2 PINS TS-80P-02V1
371.	61-01024-01	JST LV CONNECTOR HOUSING (S1P-LV)
372.	61-01039-01	CRT SOCKET (HPS0199-01-020)
373.	61-10040-01	P.C.B. TYPE CONNECTOR HOUSING 2 PINS TS-80H-02A1
374.	61-10092-01	MINIATURE JACK (HEADPHONE JACK) (HSJ0914-01-040)
375.	61-10100-02	21 PINS SCART JACK (YRS21-R2) (ANGLED TYPE)
376.	61-10116-01	2.54 MM 1 X 24 PIN HEADER-RIGHT ANGLED (TYPE NO.:PH-301-24-2)
377.	61-11001-01	SMK STRAIGHT CONNECTOR WAFER (6 PINS) W-P3006
378.	61-11003-01	JST LV CONNECTOR PIN (RT-01N-2.3A)
379.	61-11004-01	JST LV CONNECTOR TERMINAL (SVF-01T-2.36N)
380.	63-10805-05	SPEAKER 5" 8 OHM 5W (MAX.8W) (BS120B6)
381.	64-30101-48	TACT SWITCH 1P1T L=3.85MM (MODEL NO. CTS-1102VA)
382.	64-30202-42	POWER SWITCH 2P2T (TYPE NO. : ESB91632A)
383.	65-03005-31	FERRITE BEAD
384.	66-10002-01	CRYSTAL 10MHZ
385.	66-27002-01	CRYSTAL 27 MHZ (HC-49/V)
386.	66-35801-07	CRYSTAL 3.579545MHZ HC-18/U-RW 16PF
387.	66-43001-01	CERAMIC RESONATOR 4.300 MHZ (TYPE : CST 4.30MGW)
388.	66-44331-10	CRYSTAL 4.43MHZ HC18-U 'SHEN FENG'
389.	66-55001-02	CERAMIC FILTER 5.5 MHZ, TYPE NO. SFSH5.5MCB (SFE5.5MB)
390.	66-57401-02	CERAMIC FILTER SFT5.74MA
391.	66-98301-02	CRYSTAL 9.8304 MHZ
392.	67-02708-02	I.C. PCF84C81A/CTV972 1.1 PACKAGE OUTLINE : 28 LEAD DIL, PLASTIC (SOT117
393.	67-06220-01	I.C. TDA8380A
394.	67-06905-02	I.C. - SAA5246P/E (FOR WEST EUROPE)
395.	67-14215-01	I.C. LA7910
396.	67-32705-02	I.C. - TC74HC241P
397.	67-35730-01	I.C. TA8427K
398.	67-84735-01	I.C. L7812CV
399.	67-84735-02	I.C. L7805CV

Item	Part Number	Description
400.	67-85128-02	I.C. TDA2009A
401.	67-90430-01	I.C. UPC574J
402.	67-AF003857-01	I.C. TDA3857
403.	67-AF004665-01	I.C. TDA4665
404.	67-AF008416-01	I.C. TDA8416
405.	67-AF008425-01	I.C. TDA8425
406.	67-AF008522-01	I.C. PCF8522E
407.	67-AF84C122-01	I.C. PCA84C122
408.	67-AF84C841-01	I.C. PCA84C841 CTV 350S (VERSION 2.1)
409.	67-AJ7808CV-01	I.C. L7808CV
410.	67-AV0088AL-01	I.C. GM76C88AL-15 DIP
411.	67-BA008361-01	I.C. OM8361
412.	68-09024-46	U/V TUNER UVE33-VN03 (AUSTRALIA & NEW ZEALAND BAND)
413.	68-18001-32	SAW FILTER TSB5301 - 38.9 MHZ (QUASI-PARALLEL SOUND)
414.	68-18001-33	SAW FILTER TSF5315 - 38.9 MHZ (FTZ VIDEO CHANNEL)
415.	69-01014-29	LED - SE1003-C
416.	69-01014-36	LED TLR114A (RED)
417.	69-01117-07	'TOSHIBA' 28" CRT A66JLH92X02 (ZX) (FOR SOUTHERN HEMISPHERE)
418.	69-02009-02	HIGH-VOLTAGE OPTOCOUPLER CNX82A.300
419.	69-02015-03	PHOTO RECEIVER MODULE SPS-409-1-M
420.	72-01085-01	FUSE 5ST 5A250V (SEMKO APPROVAL)
421.	72-02001-04	FUSE HOLDER
422.	73-053910B-03L	3 POLES CONNECTOR ASSY.
423.	73-071510H-05L	5 POLES CONNECTOR ASSY
424.	73-071510I-06L	6 POLES CONNECTOR ASSY
425.	73-073280U-04A	4 POLES CONNECTOR ASSY (W/WAFER SE40-04WS '61-W0008-04A')
426.	73-074510A-07L	7 POLES CONNECTOR ASSY
427.	73-074510B-08L	8 POLES CONNECTOR ASSY
428.	73-074510G-06L	6 POLES CONNECTOR ASSY
429.	73-074510K-04L	4 POLES CONNECTOR ASSY
430.	73-074510R-04L	4 POLES CONNECTOR ASSY
431.	73-074510V-03L	3 POLES CONNECTOR ASSY



CE-6451 25"
 CE-7151 28"
 CE-7451 29"

60-A0745120-01
 MAIN CHASSIS UNIT



NOTICE:

SINCE THIS IS A BASIC CIRCUIT DIAGRAM THE VALUE OF COMPONENTS ARE SUBJECT TO BE CHANGE FOR IMPROVEMENT .

WARNING:

BEFORE SERVICING THIS CHASSIS, READ THE X-RAY RADIATION PRECAUTION & PRODUCTS SAFETY NOTICE OF THIS MANUAL .

CAUTION:

THE WARNING SYMBOLS IN THE SCHEMATIC DIAGRAM AND THE PART LIST DESIGNATE COMPONENTS WHICH HAVE SPACIAL CHARACTERISTICS IMPORTANT FOR SAFETY SHOULD BE REPLACED ONLY WITH TYPES IDENTICAL TO THOSE IN THE ORIGINAL CIRCUIT OR SPECIFIED IN THE PARTS LIST BEFORE REPLACING ANY OF THESE COMPONENTS, READ CAREFULLY THE PRODUCTS SAFETY NOTICE OF THE MANUAL DO NOT DEGRADE THE SAFETY OF THE RECEIVER THROUGH IMPROPER SERVICING .

NOTE:

- 1 VOLTAGES ARE MEASURED WITH DVM FROM POINT INDICATED TO CHASSIS GROUND, USING COLOR BAR SIGNAL WITH ALL CONTROLS AT NORMAL POSITION .
- 2 WAVEFORMS ARE MEASURED WITH SYNCHROSCOPE FROM POINT INDICATED TO CHASSIS GROUND, USING COLOR BAR SIGNAL WITH ALL CONTROLS AT NORMAL
- 3 ALL RESISTORS ARE 1/BW +/-5% CARBON FLIM RESISTOR UNLESS OTHERWISE LISTED . RESISTANCE UNIT IS IN OHM

M=1,000,000

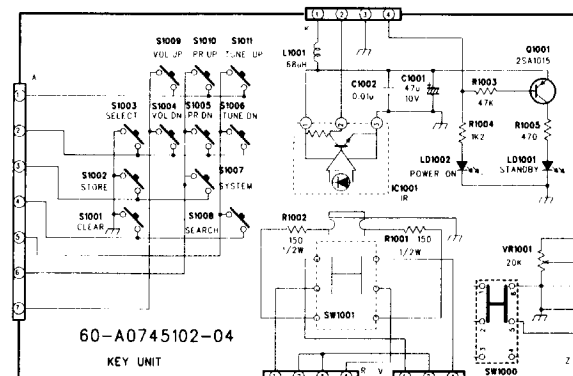
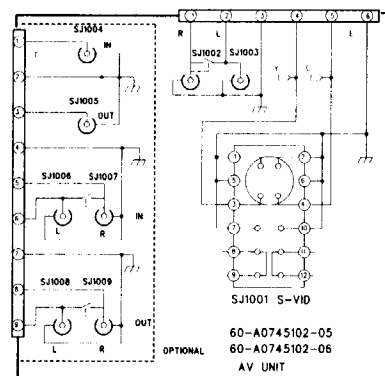
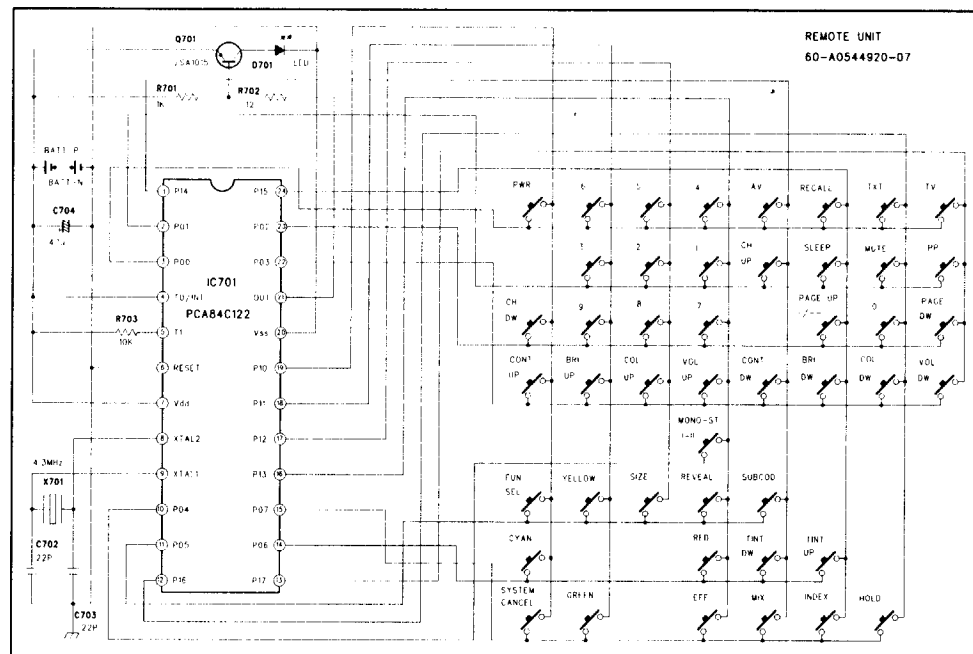
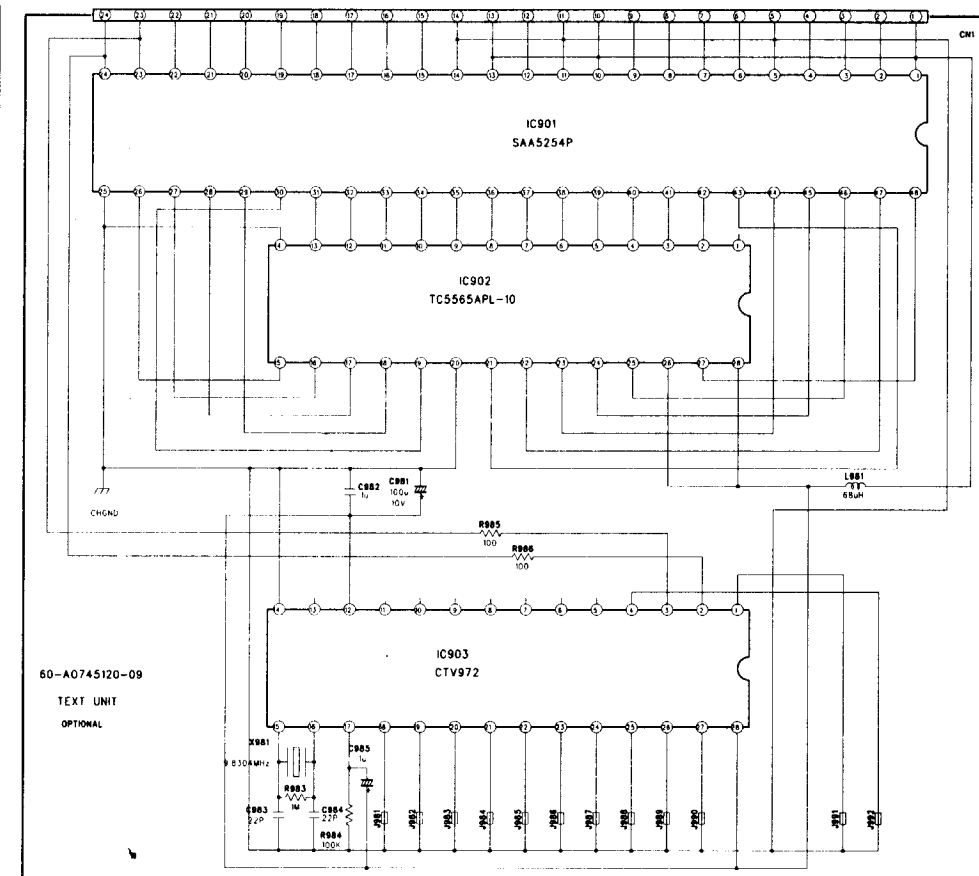
K=1,000

RESISTOR TYPES	SYMBOL
CARBON FILM	
CARBON COMPOSITION	P
METAL OXIDE +/-5%	M
METAL OXIDE +/-2%	M
FUSIBLE	F
NON INFLAMMABLE	
PTC THERMISTOR	
VARIABLE	

CAPACITOR TYPES	SYMBOL
CERAMIC	
TANTALUM	
POLYESTER FILM	
POLYPROPYLENEM FLIM	
METAL POLYESTER FILM	
POLY POLYESTER FILM	
ELECTROLYTIC	
TRIMMER	

4 ALL CAPACITOR ARE 50WV CEREMIC CAPACITOR UNLESS OTHERWISE LISTED

CAPACITANCE UNIT IS uF, UNLESS OTHERWISE LISTED.



CE-7451 29"
CE-7151 28"
CE-6451 25"

PAL/SECAM NTSC AV
1 PAGE OR 4 PAGES TELETEXT
MONO OR STEAREO SOUND *NICAM I
GERMANY ST. OR/AND NICAM B/G
KARAOKE
SUPPER WOOFER

